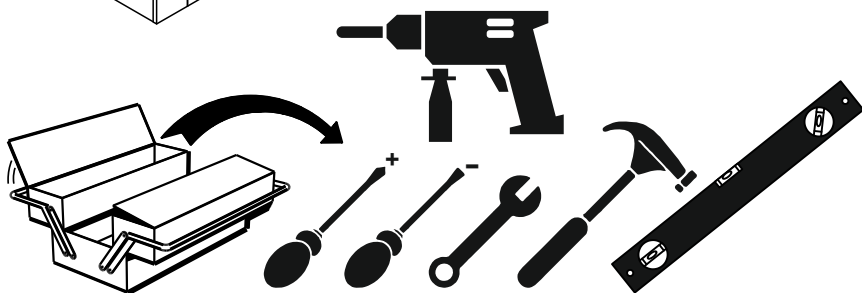
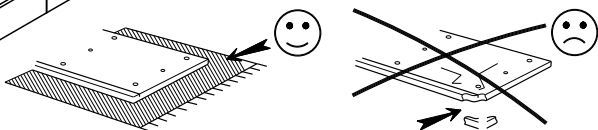
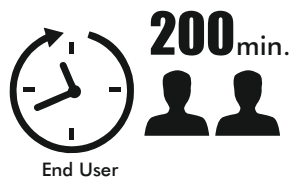
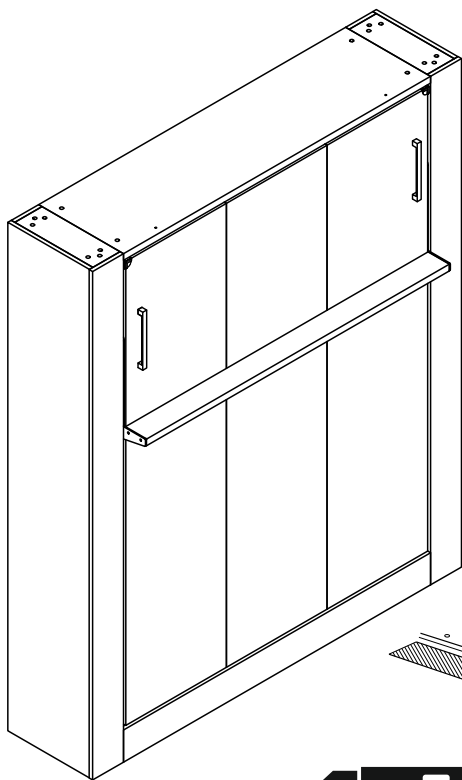


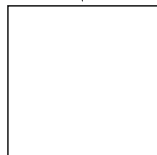


MULTIMO

A 250- NOVA QUEEN BED



VIDEO

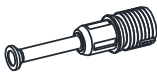


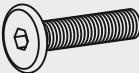
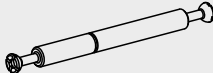
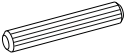

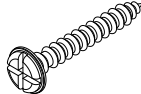

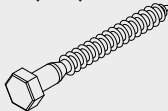
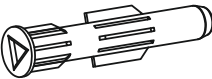

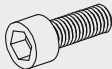
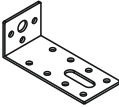





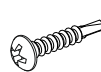
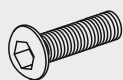
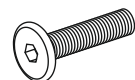
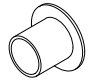
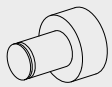
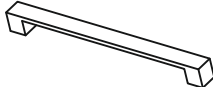

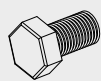

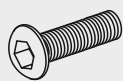
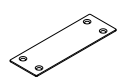
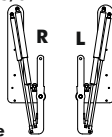

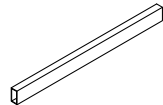
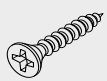
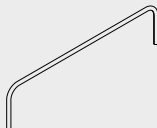


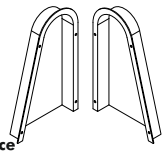



link

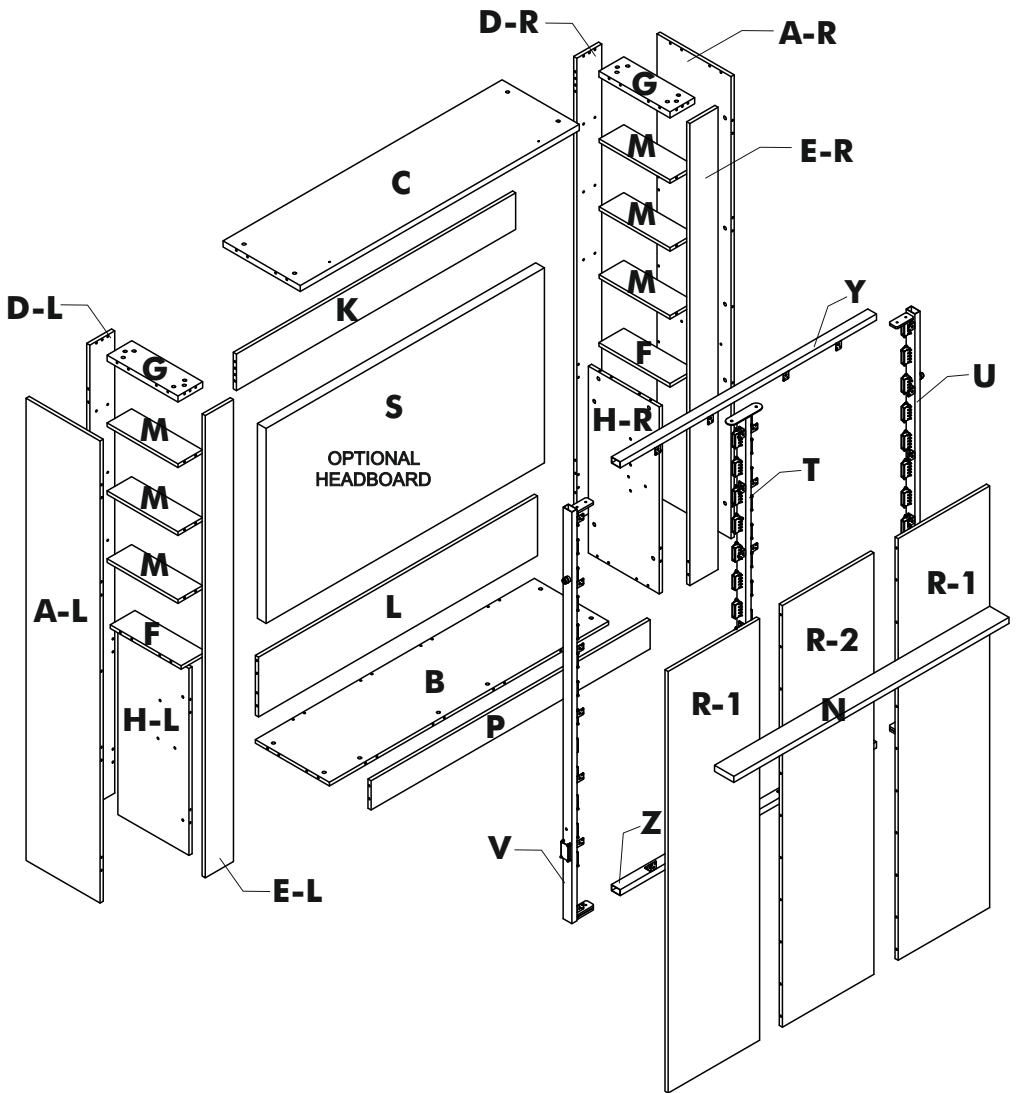
Assembly Instructions

Track Title	Piece	(inch)			(mm)			
		Thickness	Length	Width	Piece	Thick	Height	Most
A-R / A-L	2	0,71	89,76	16,61	2	18	2280	422
B	1	0,71	62,60	16,61	1	18	1590	422
C	1	1,18	62,60	17,32	1	30	1590	440
D-R / D-L	2	0,71	89,76	5,55	2	18	2280	141
E-R / E-L	2	0,71	89,76	6,30	2	18	2280	160
F	2	0,71	15,91	5,55	2	18	404	141
G	2	1,18	15,91	5,55	2	30	404	141
H-R / H-L	2	0,71	15,91	36,30	2	18	404	922
K	1	0,71	62,60	7,09	1	18	1590	180
L	1	0,71	62,60	11,61	1	18	1590	295
M	6	0,71	15,91	5,51	6	18	404	140
N	1	1,18	61,73	4,33	1	30	1568	110
P	1	0,71	62,60	5,67	1	18	1590	144
R-1	2	0,71	81,89	20,51	2	18	2080	521
R-2	1	0,71	81,89	20,51	1	18	2080	521
S (OPTIONAL HEADBOARD)	0	1,97	62,40	37,87	0	50	1585	962

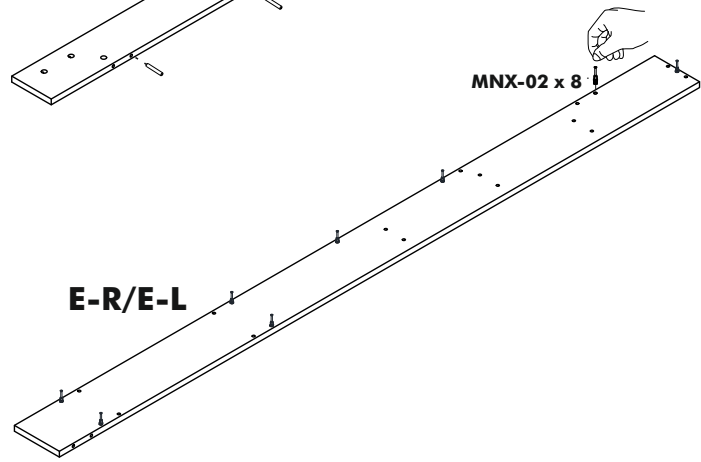
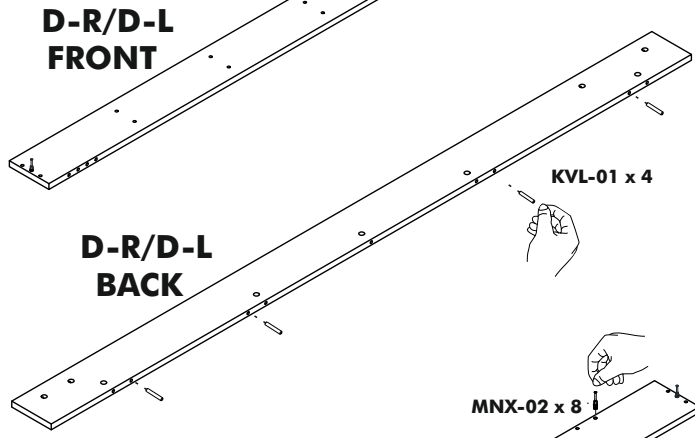
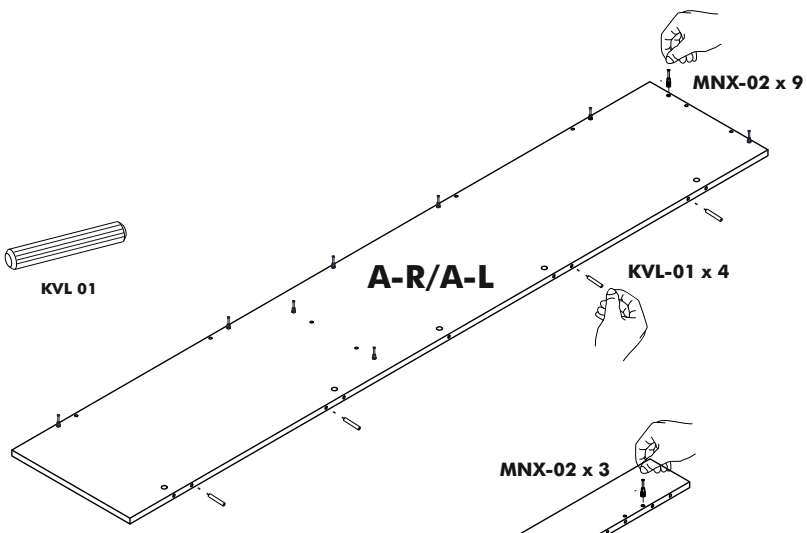
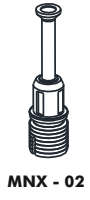
Accessories List

MXN 02  60 / piece	MNG - 01  104 / piece	OT-054  2 / piece	CT - 01 (6x40) mm  2 / piece
MXN - 03  22 / piece	KVL 01  112 / piece	VDA - 01 (6,5x50) mm  4 / piece	VD - 02 (3,5x25) mm  2 / piece
PL - 02 (8x22x1) mm  3 / piece	TFC - 01(8x70) mm  3 / piece	DD - 01 (R10)  3 / piece	VTB - 01 (4,8x16) mm  12 / piece
IM - 02 (6x20) mm  4 / piece	DSE - 01 (40x90x32) mm  3 / piece	TAP - 01  104 / piece	TAP - 02  4 / piece

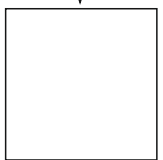
<p>VKP - 01 (22) mm</p>  <p>4 / piece</p>	<p>YSB - 01 (3,9x16) mm</p>  <p>2 / piece</p>	<p>CTM - 02 (8x35) mm</p>  <p>2 / piece</p>	<p>CT - 04 (6x20) mm</p>  <p>2 / piece</p>
<p>OT-056D</p>  <p>2 / piece</p>	<p>OT-056PE</p>  <p>2 / piece</p>	<p>KP - 01 (224) mm</p>  <p>2 / piece</p>	<p>SG - 01</p>  <p>2 / piece</p>
<p>CTA - 01 (8x15) mm</p>  <p>12 / piece</p>	<p>PL - 05 (8x16x2) mm</p>  <p>14 / piece</p>	<p>CTM - 05 (8x45) mm</p>  <p>2 / piece</p>	<p>BRK - 01</p>  <p>8 / piece</p>
<p>MKZ - 05/02</p>  <p>1 / piece</p>	<p>SC - 92</p>  <p>2 / piece</p>	<p>PRF</p>  <p>1 / piece</p>	<p>VD - 03 (3,5x18) mm</p>  <p>32 / piece</p>
<p>KOR</p>  <p>1 / piece</p>	<p>LTA - 01</p>  <p>26 / piece</p>	<p>VTB - 02 (4,2x16) mm</p>  <p>80 / piece</p>	<p>KMT-01</p>  <p>1 / piece</p>
<p>KKS - 01</p>  <p>2 / piece</p>	<p>AL - 01 (4MM)</p>  <p>1 / piece</p>	<p>AL - 02 (5MM)</p>  <p>1 / piece</p>	



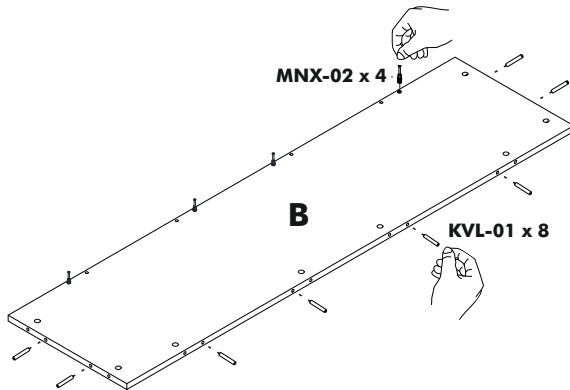
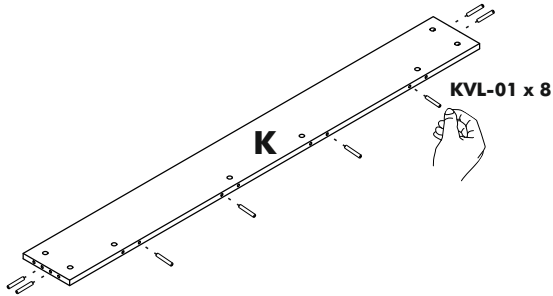
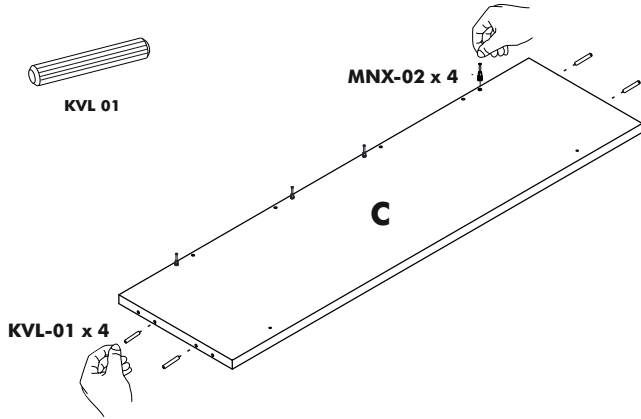
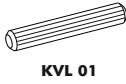
STEP 1



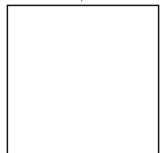
VIDEO



STEP 2

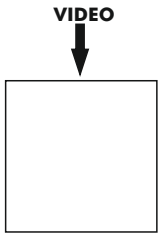
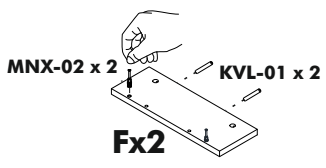
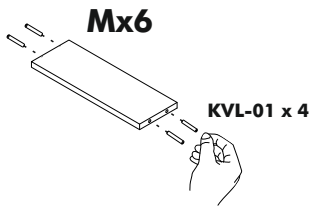
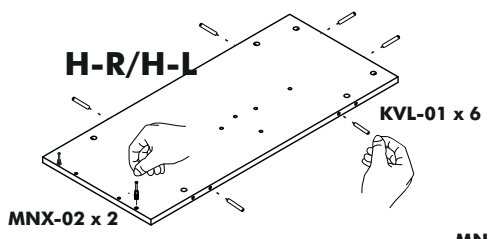
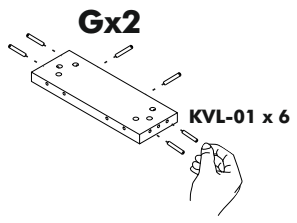
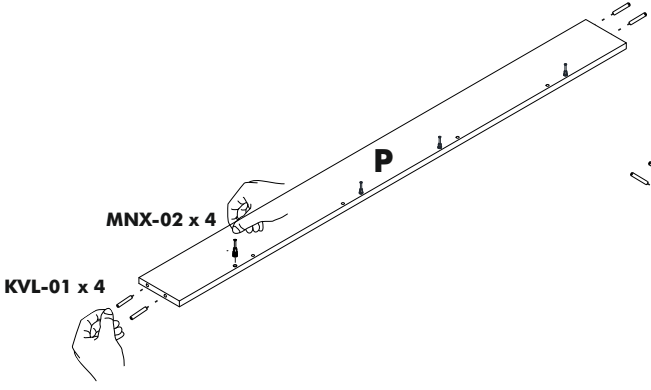
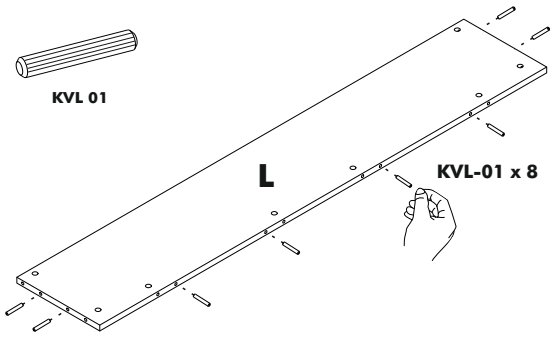
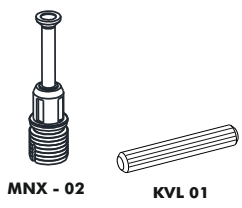


VIDEO



link

STEP 3

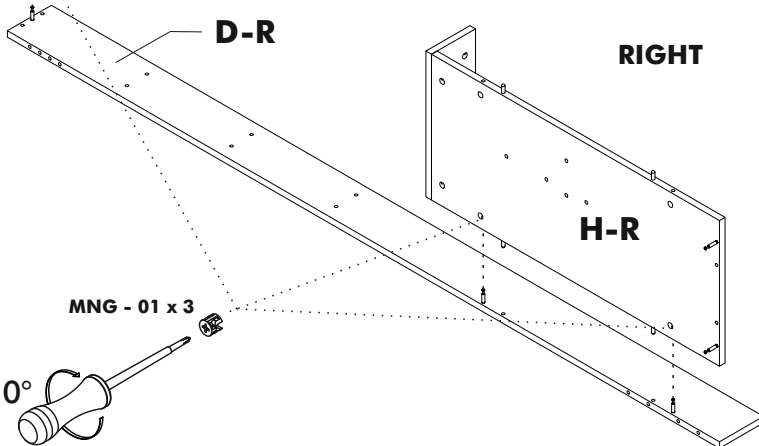
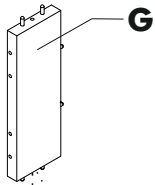
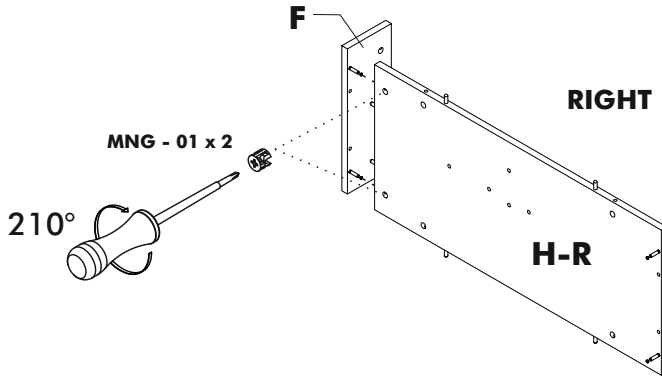


STEP 4

RIGHT / LEFT



MNG - 01

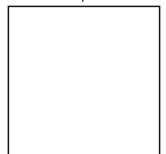


STEP 5



MNG - 01

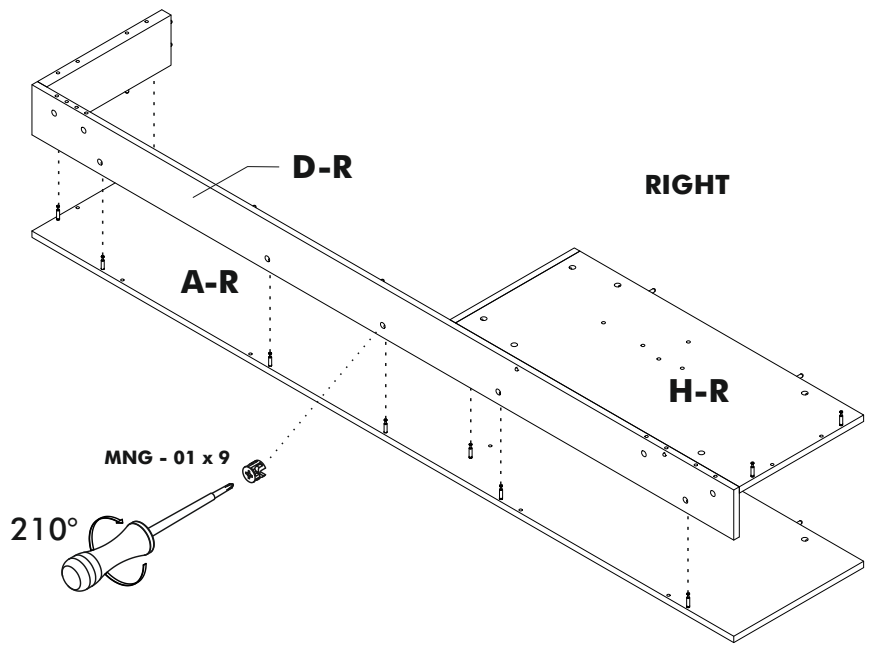
VIDEO



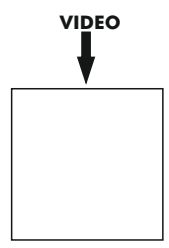
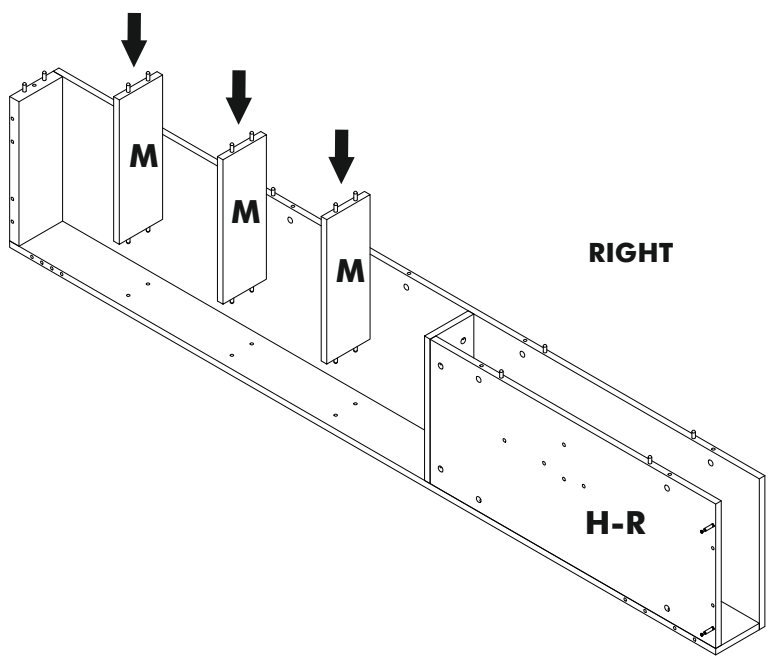
link

STEP 6

RIGHT / LEFT



STEP 7



STEP 8



RIGHT / LEFT

RIGHT

E-R

MNG - 01 x 4



Don't forget to add MNG-01 before adjusting part "E"

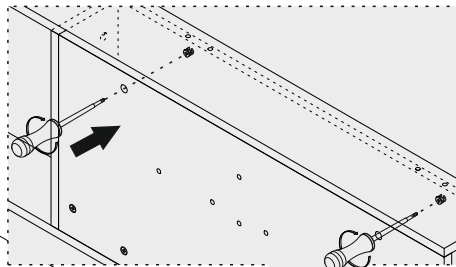
MNG - 01 x 2

STEP 9



RIGHT

1

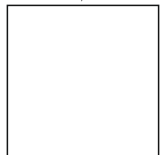


2

MNG - 01 x 2



VIDEO

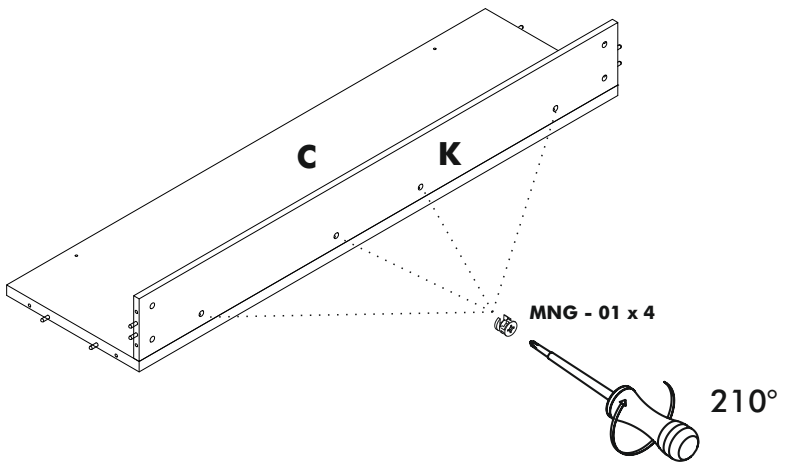


link

STEP 10



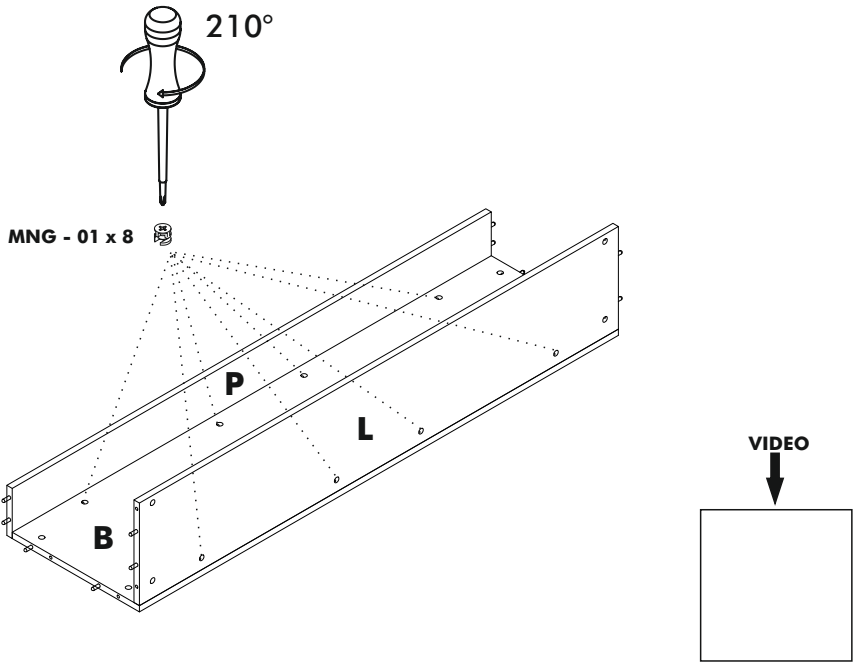
MNG - 01



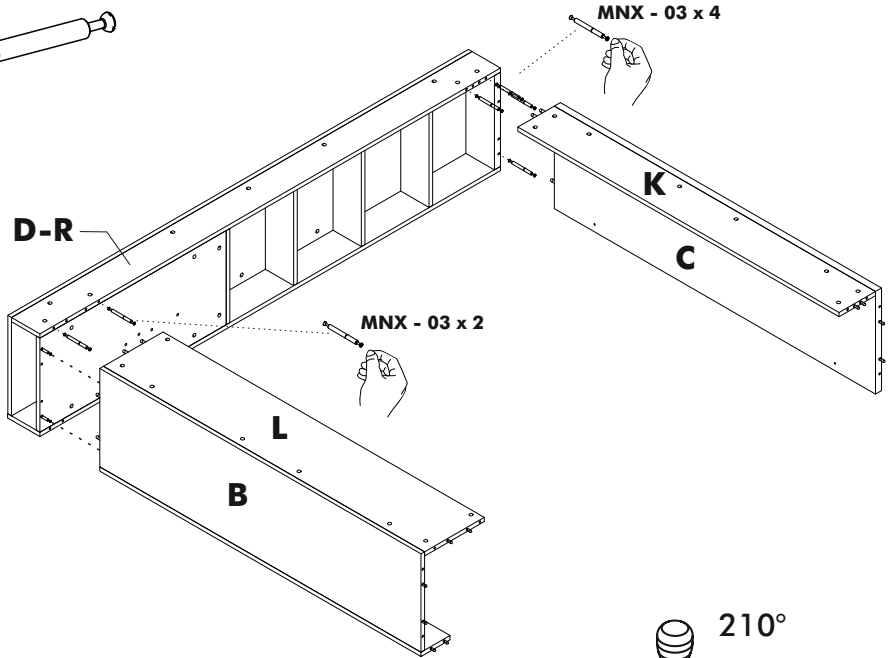
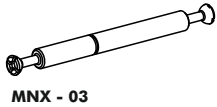
STEP 11



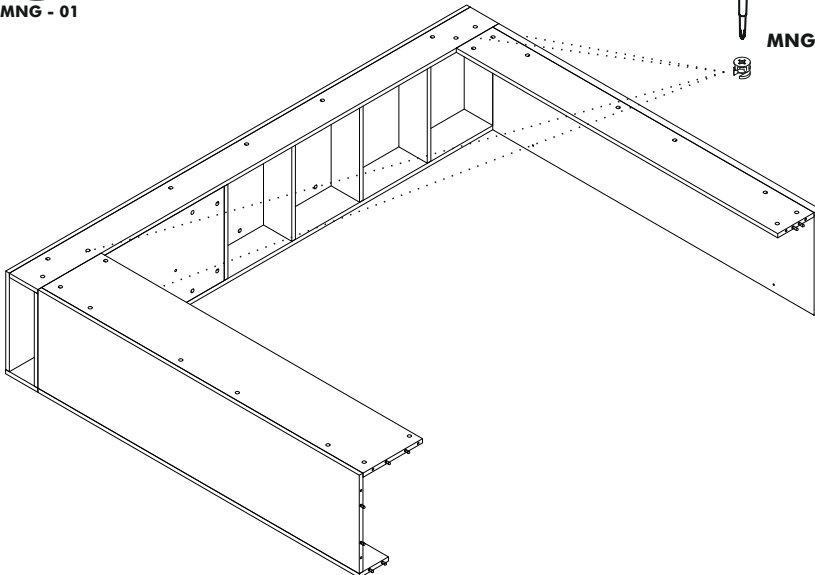
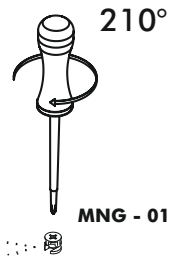
MNG - 01



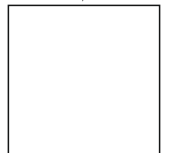
STEP 12



STEP 13

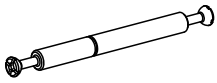


VIDEO

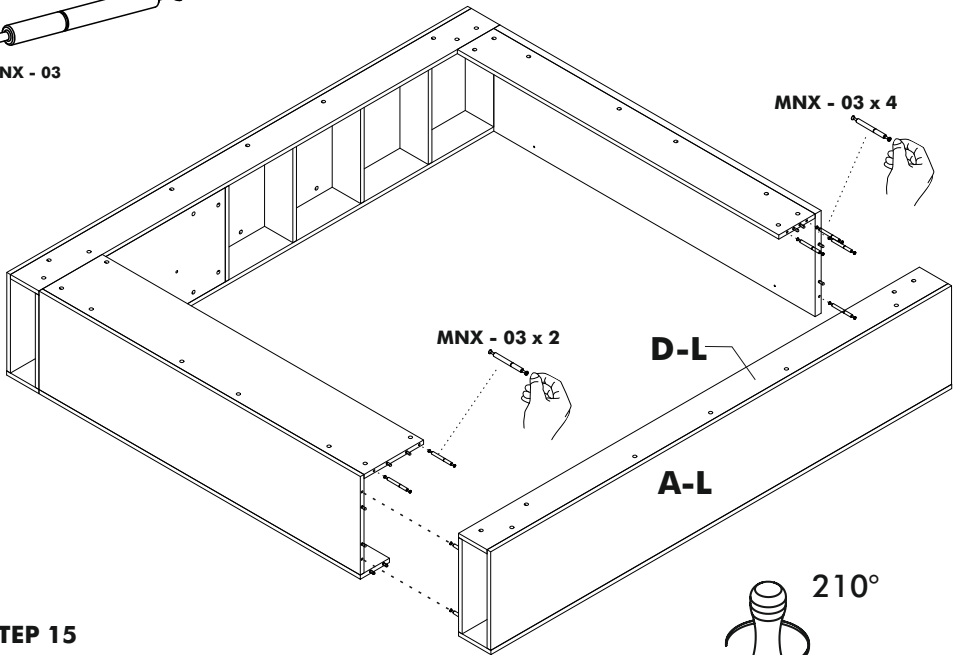


link

STEP 14



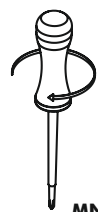
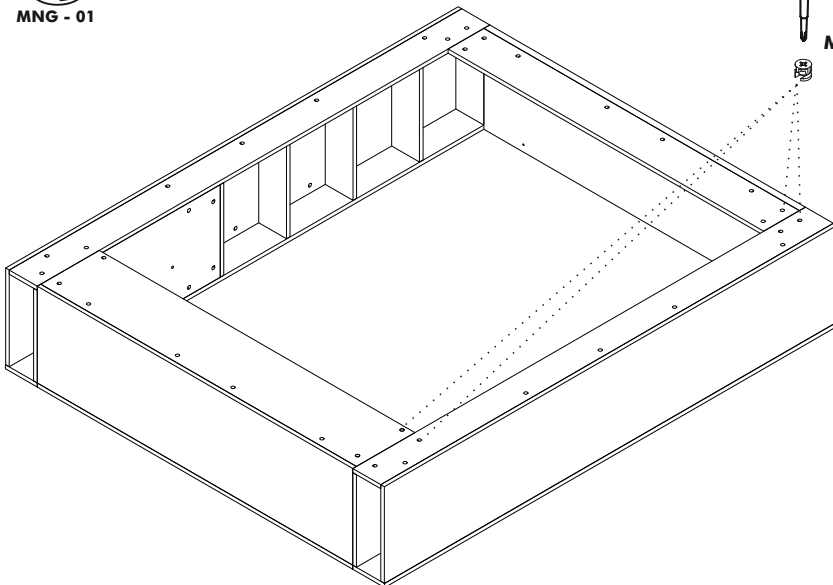
MNX - 03



STEP 15



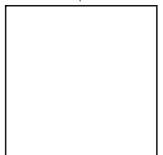
MNG - 01



210°

MNG - 01 x 14

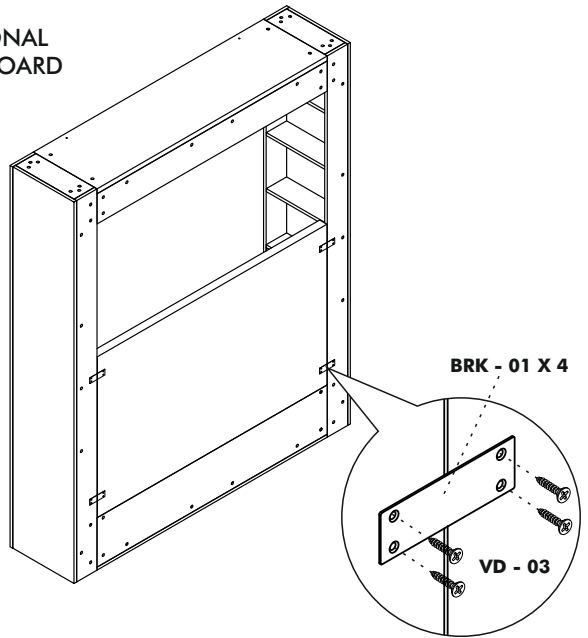
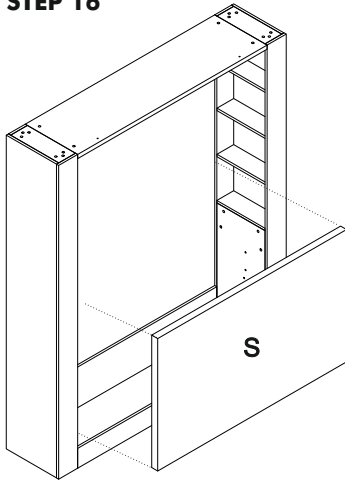
VIDEO



link

OPTIONAL
HEADBOARD

STEP 16

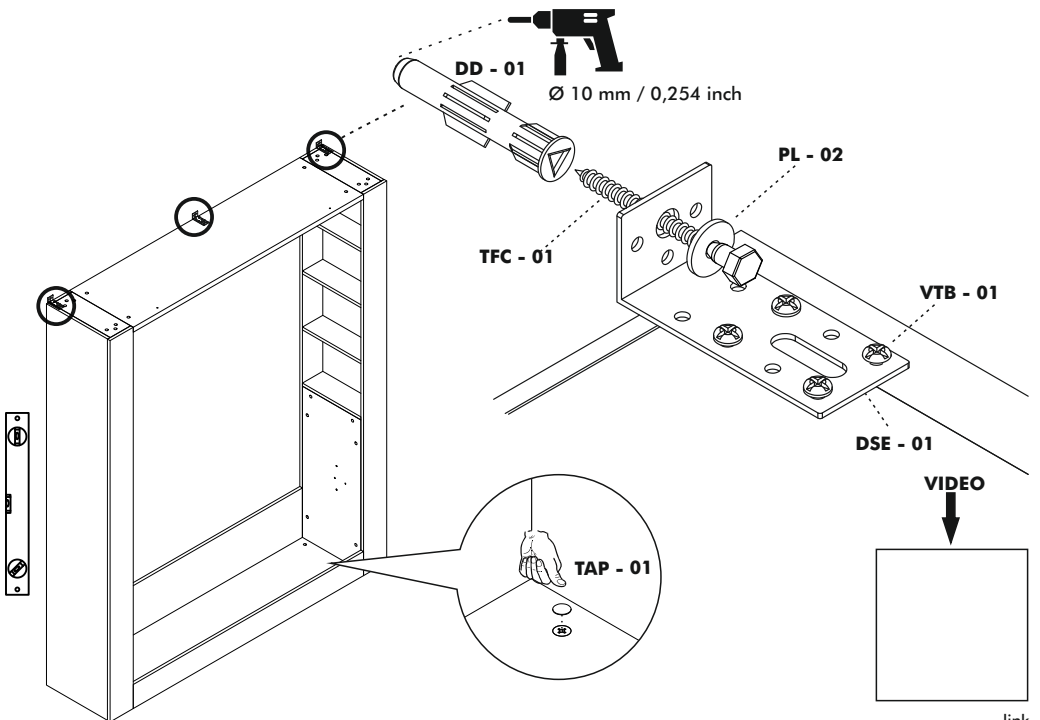


ATTENTION!!!

Must be secured to the wall made of brick, concrete or similarly strong material.
Mounting to wooden or metal studs is also acceptable.

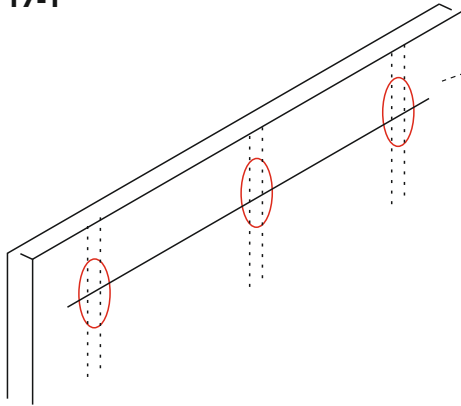
STEP 17

Do not mount directly to sheetrock or paper-mache type walls not supported by studs.



WALLS MADE OF DRYWALL WITH WOODEN OR METAL STUDS

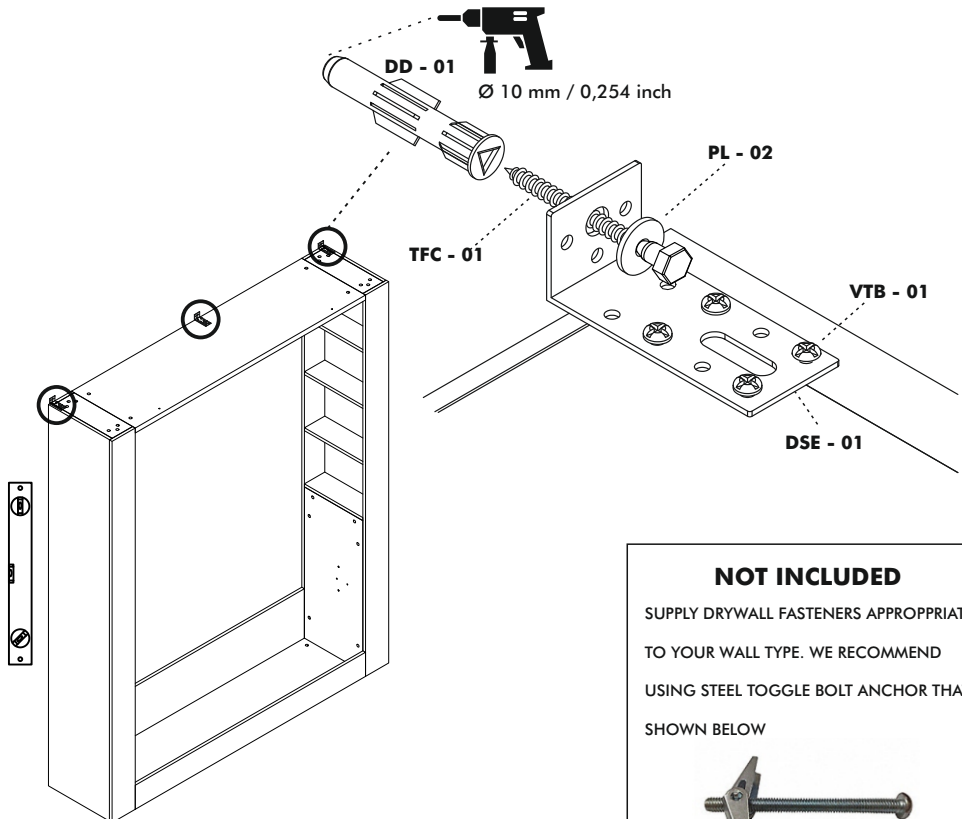
STEP 17-1



Ø 10 mm / 0,254 inc



FIRST LOCATE THE STUDS BY USING "STUD FINDER" IN THE WALL AND DRILL IT ACCORDING TO THE HEIGHT MEASUREMENTS GIVEN ON THE SIDE. UPPER HOLES SHOULD BE DRILLED FOR ATTACHING BED AT NEXT STEP.

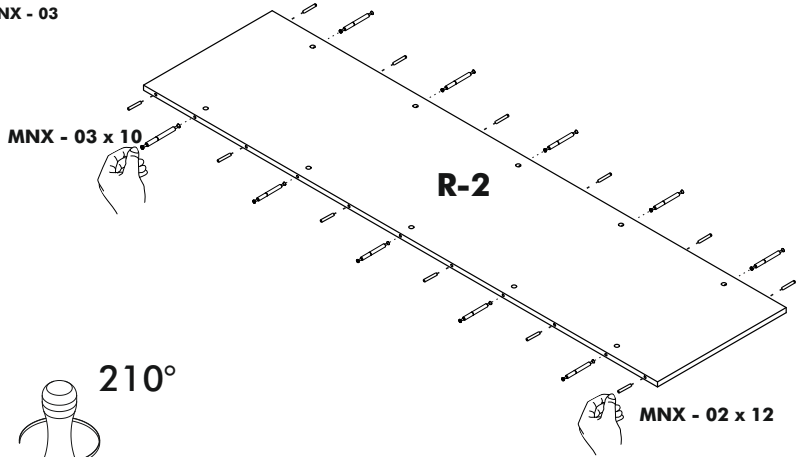
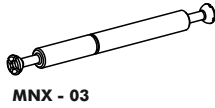


NOT INCLUDED

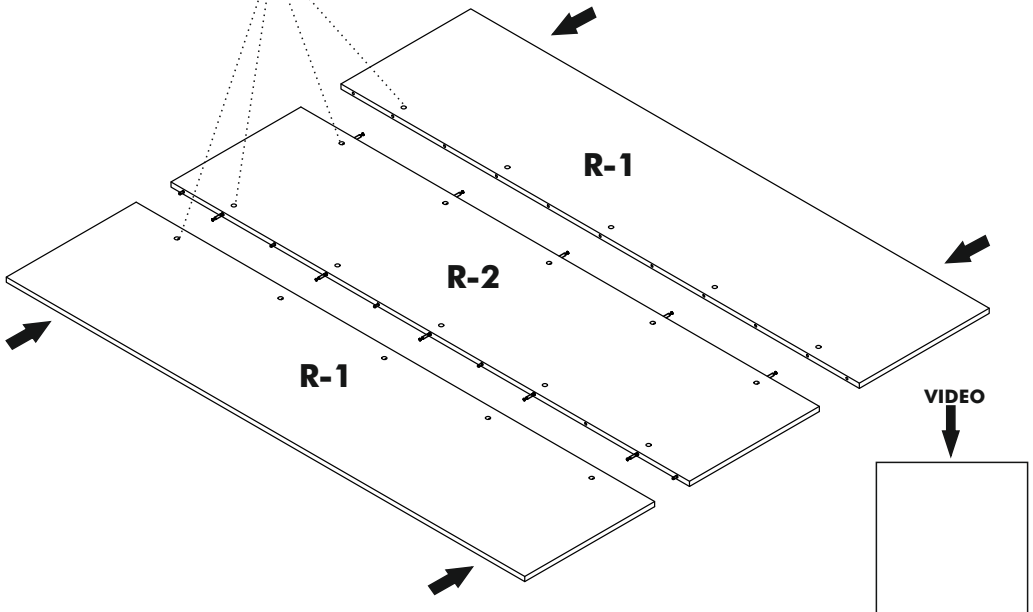
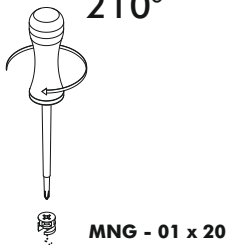
SUPPLY DRYWALL FASTENERS APPROPRIATE TO YOUR WALL TYPE. WE RECOMMEND USING STEEL TOGGLE BOLT ANCHOR THAT SHOWN BELOW



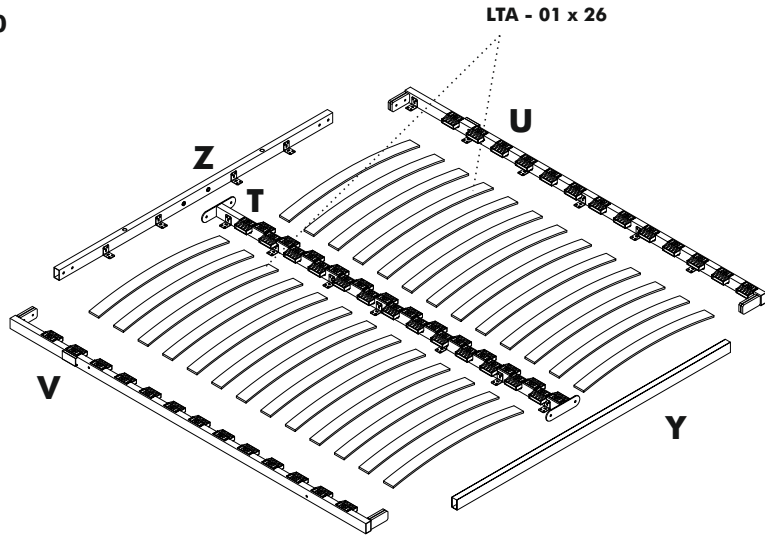
STEP 18



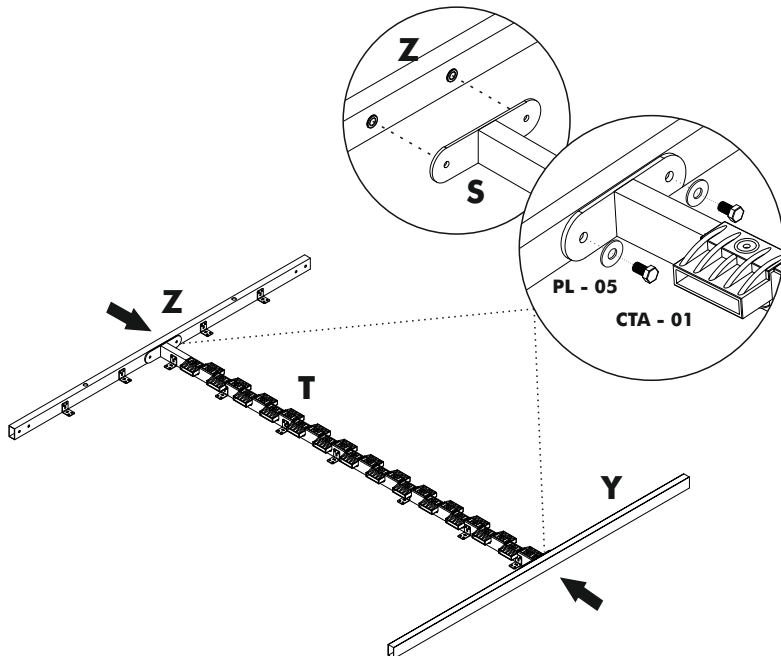
STEP 19



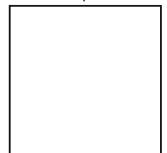
STEP 20



STEP 21

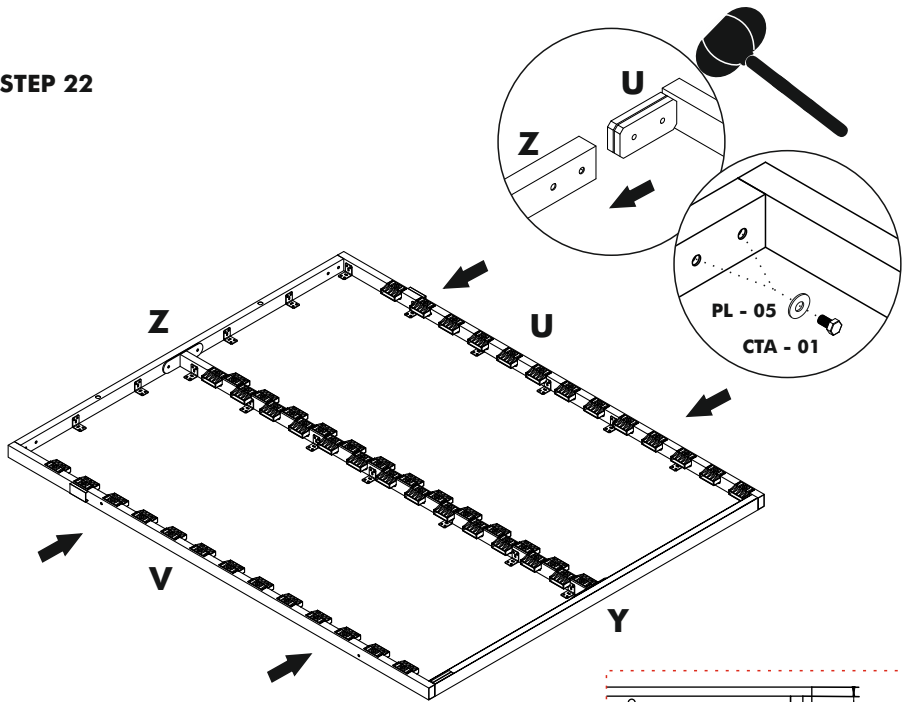


VIDEO

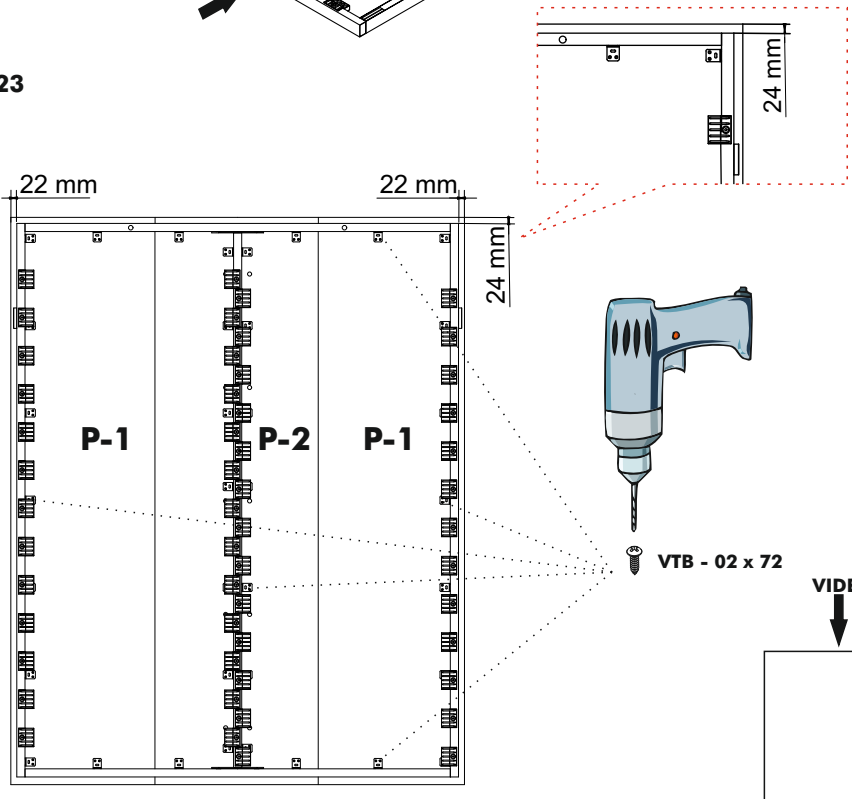


link

STEP 22

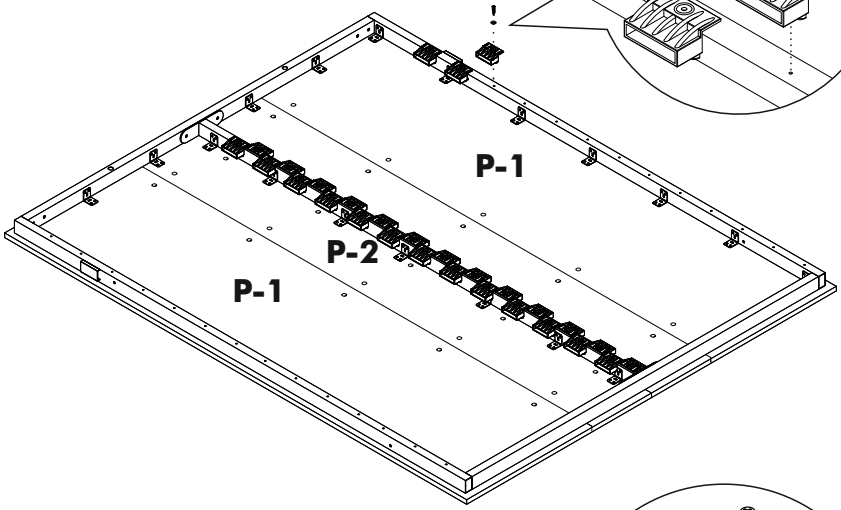


STEP 23

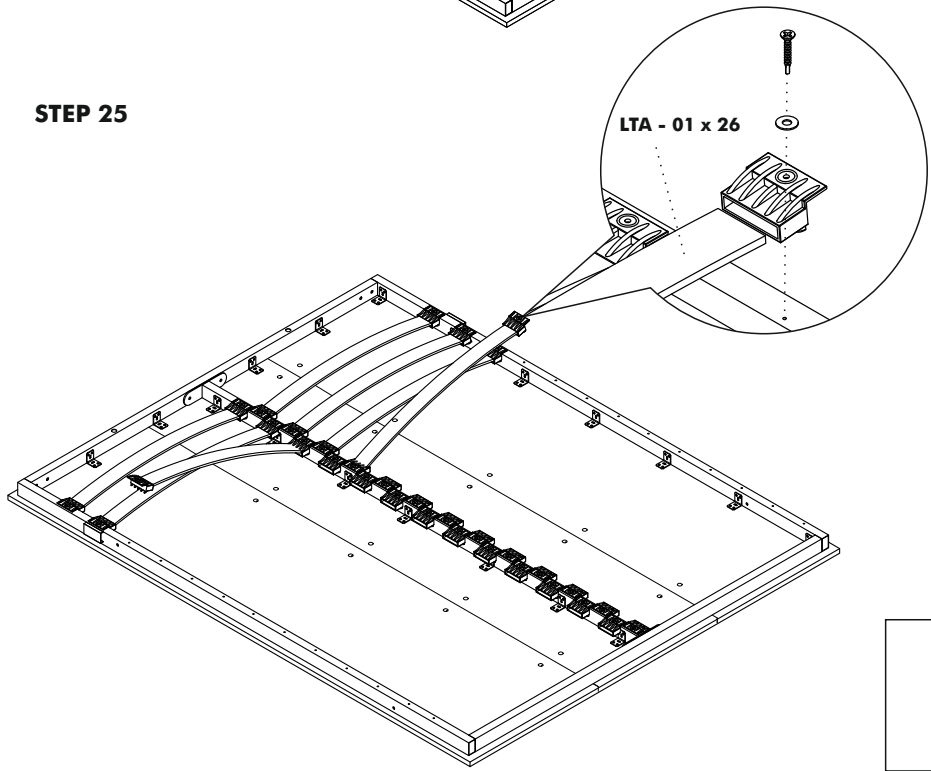


STEP 24

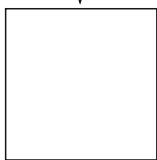
Unscrew the Screws



STEP 25

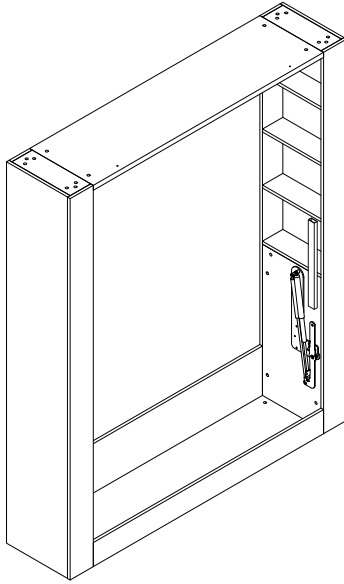


VIDEO

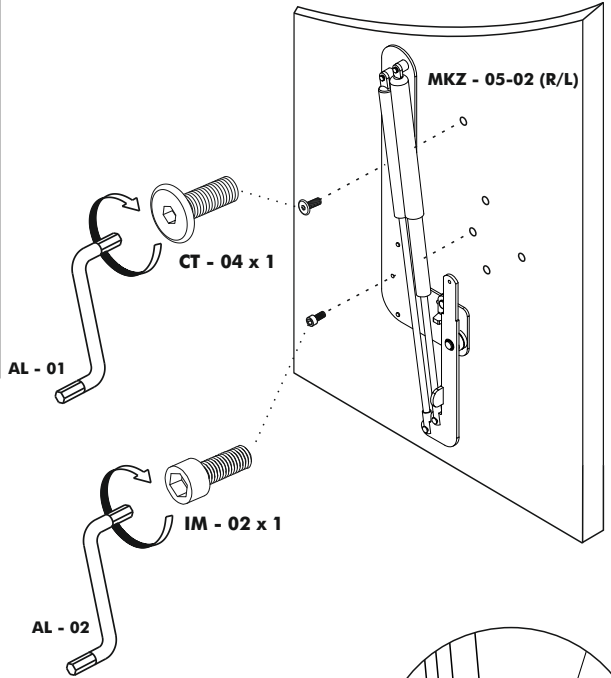


link

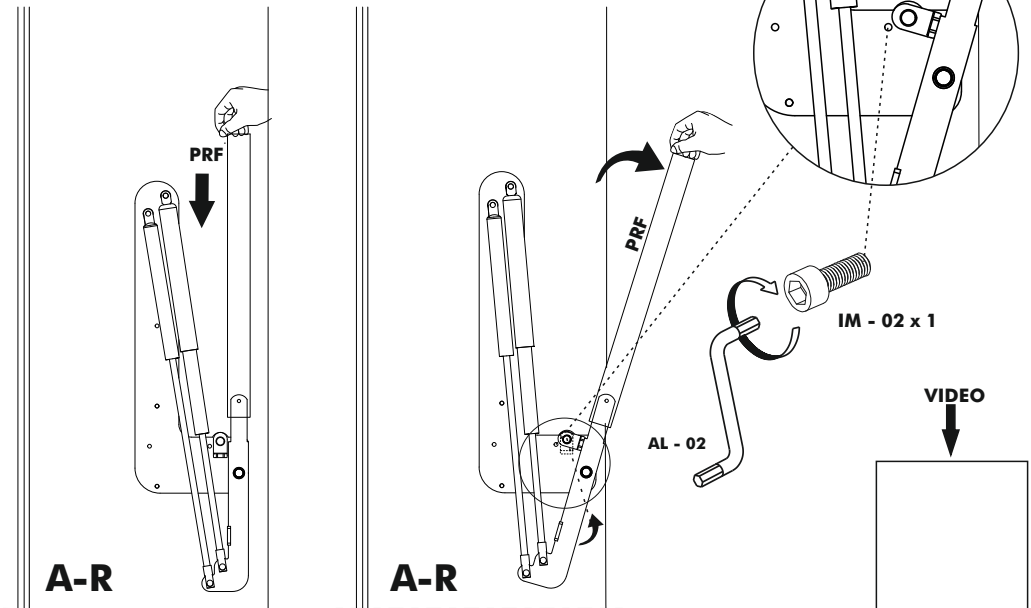
STEP 26



CAUTION
DO NOT UNLOCK BEFORE INSTALL

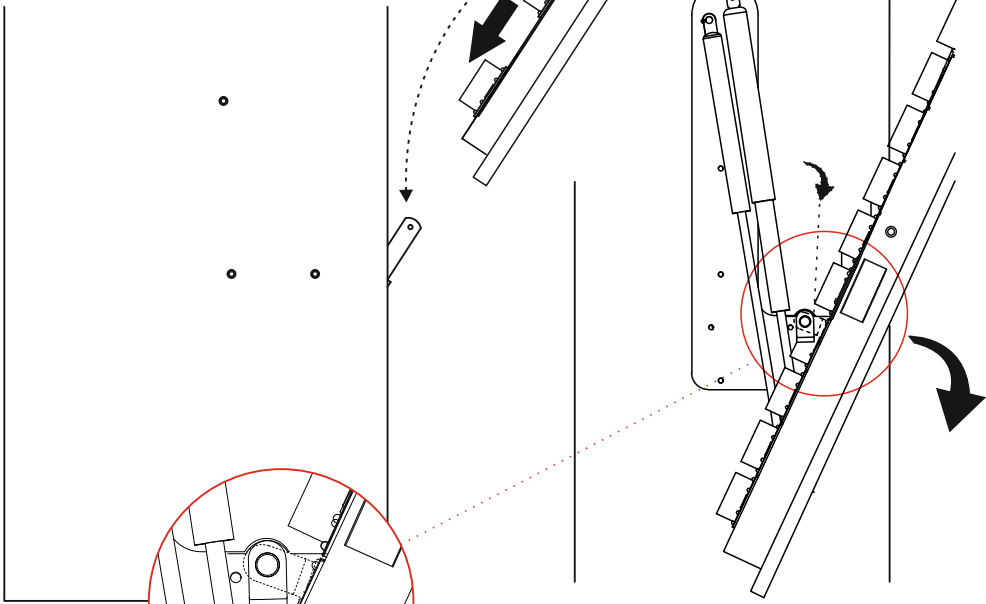


STEP 27

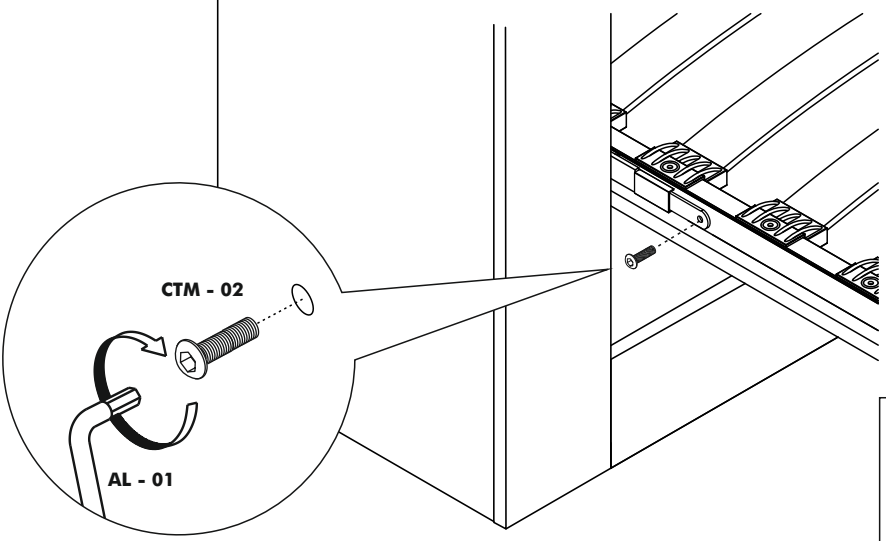
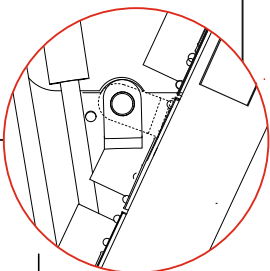


STEP 28

45-50°



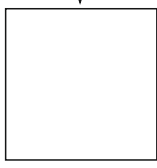
LET THE STOPPER LOCK MOVE DOWN !!!



CTM - 02

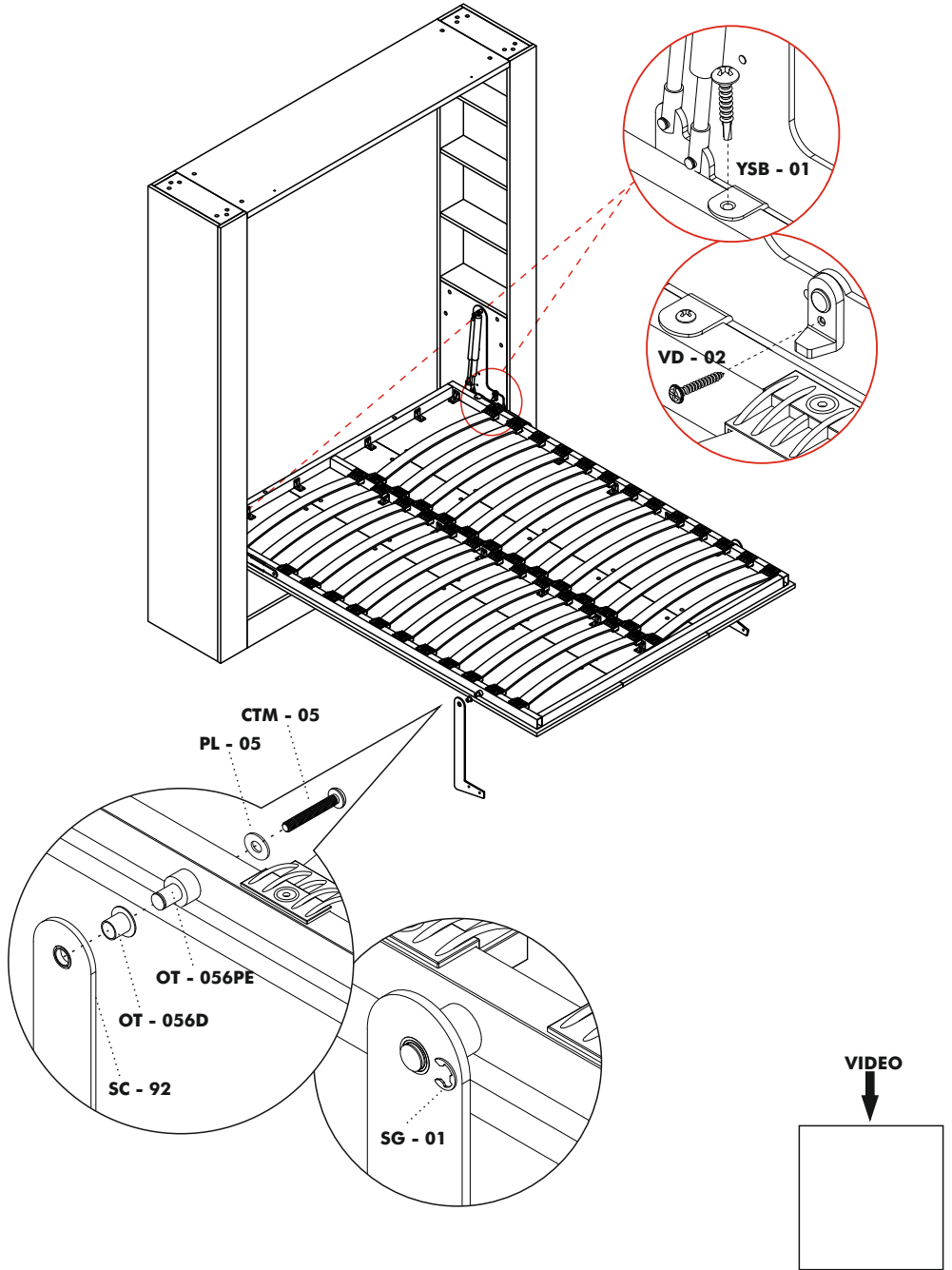
AL - 01

VIDEO

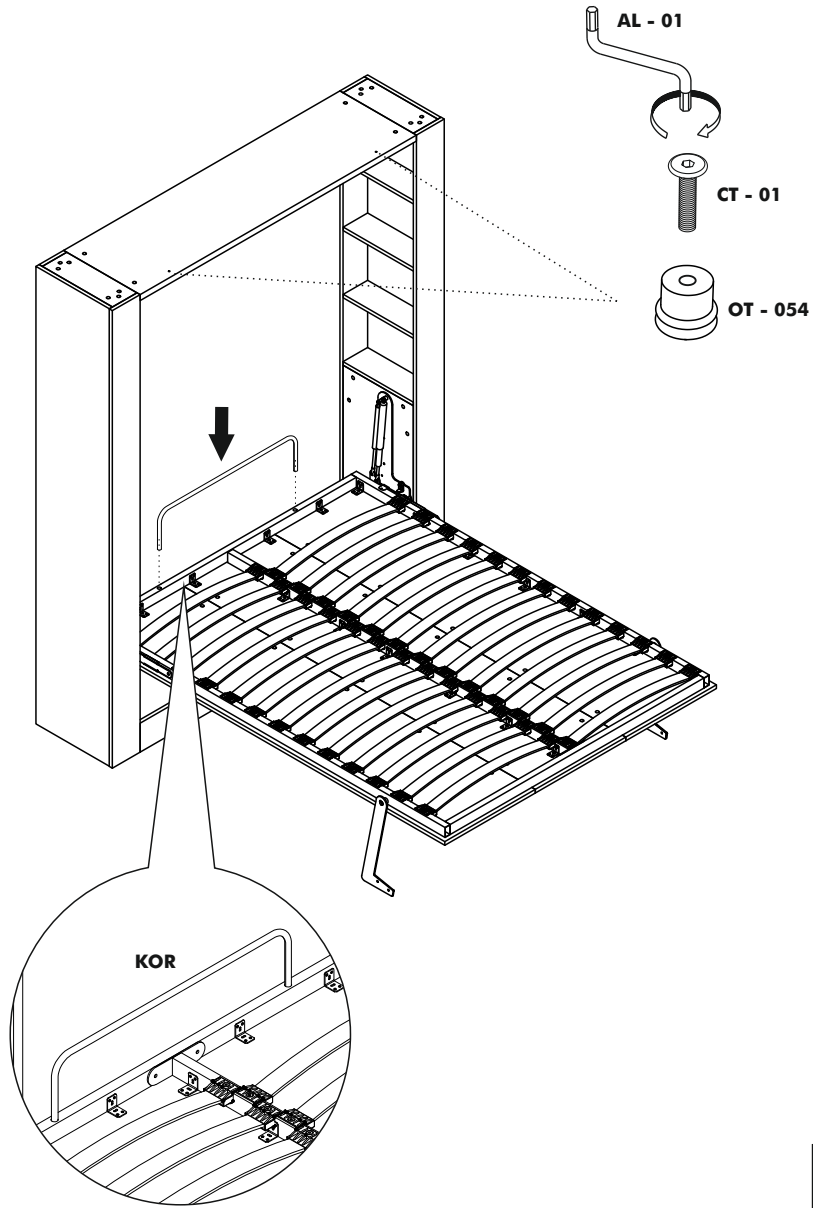


link

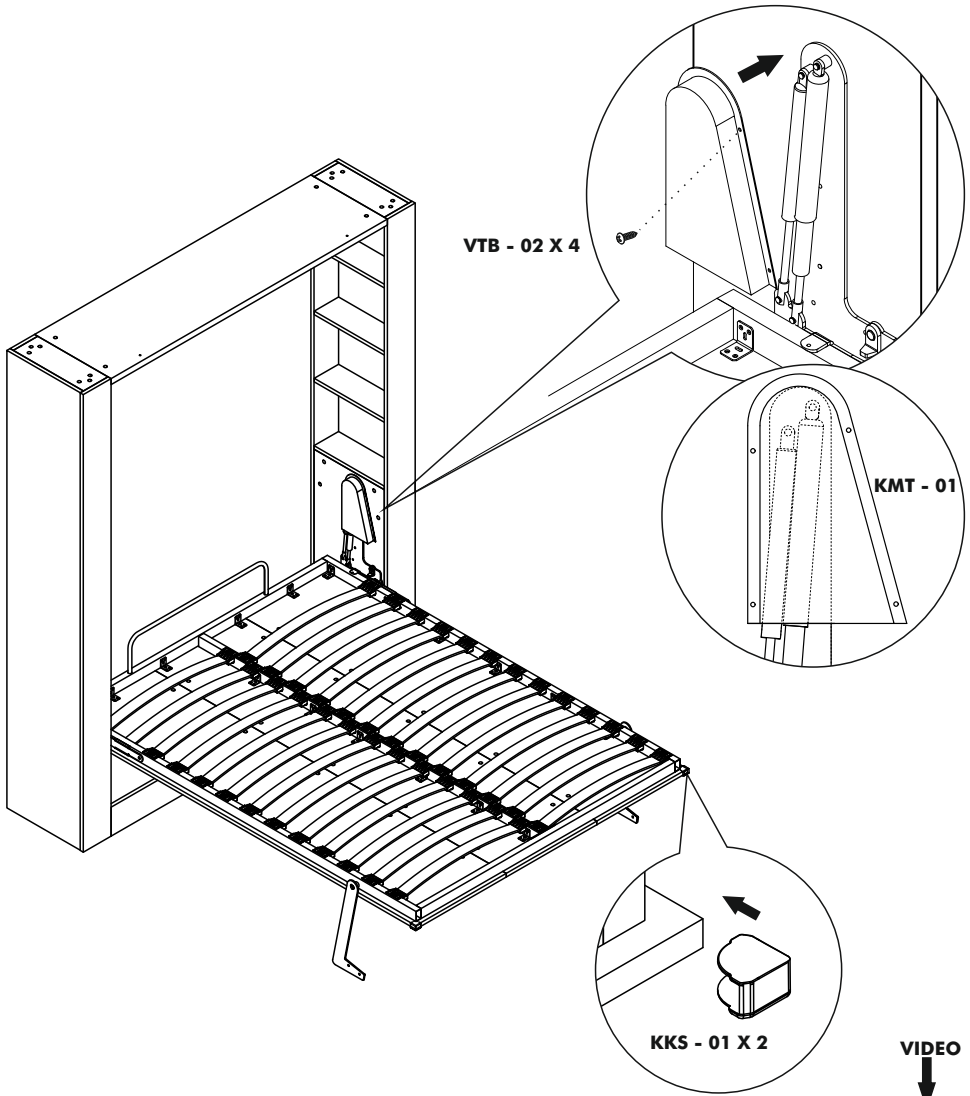
STEP 29



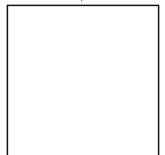
STEP 30



STEP 31

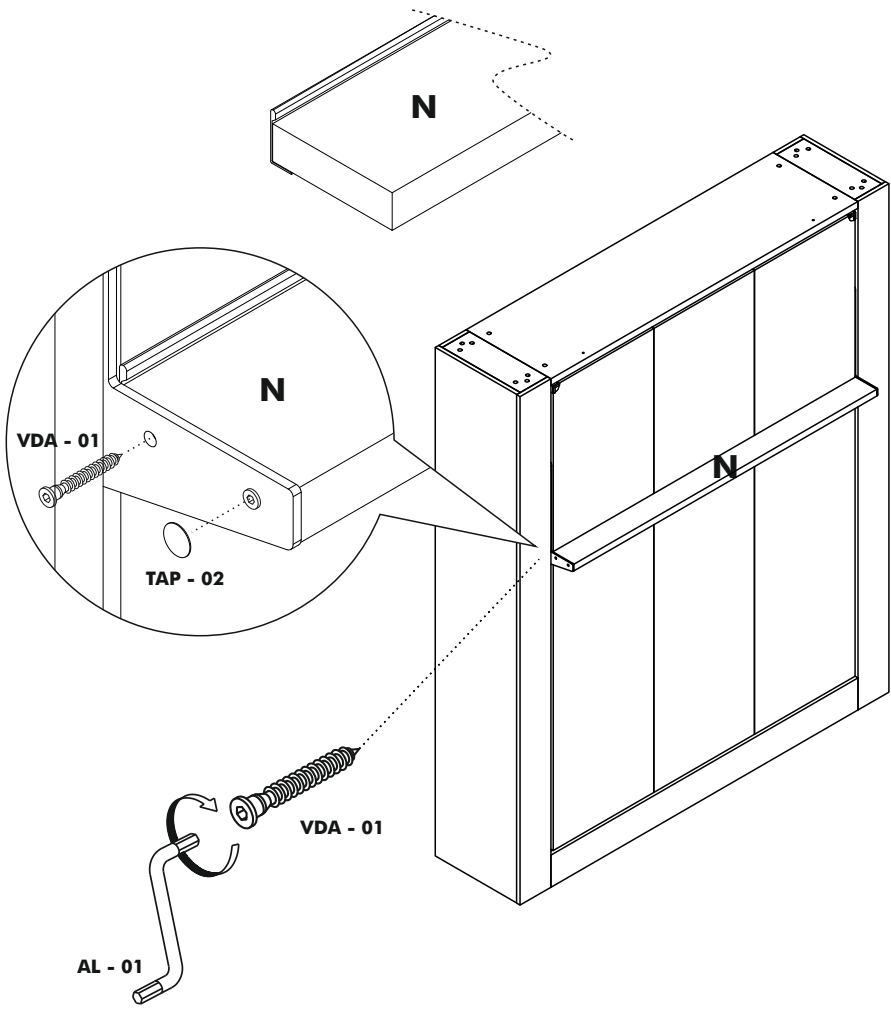


VIDEO

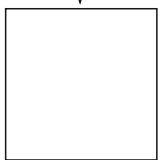


link

STEP 32

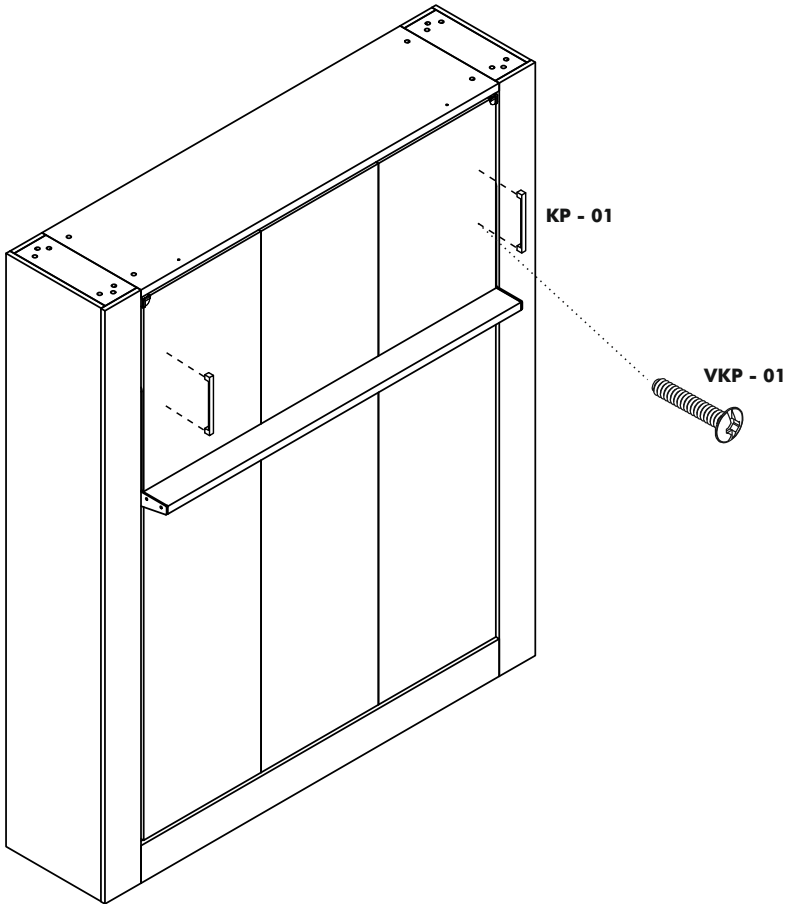


VIDEO

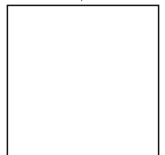


link

STEP 33



VIDEO



link

ATTENTION / HOW TO / READ ME / OWNER'S GUIDE

1. Wall beds must be securely attached to the wall. Hardware for mounting to concrete, brick or similar strong material is included.
2. When mounting to drywall, wall beds must be attached to wooden or metal studs in 2 or 3 points. Do not mount wall beds directly to drywall or paper-mache type wall without properly attaching it to studs. Please choose appropriate fasteners for the type of wall the bed will be mounted on. Drywall mounting hardware is not included.
3. For safety and product longevity you must periodically inspect the integrity and tightness of the mounting and mechanical connections. Confirm hardware remains properly affixed and connections are snug.
4. Do not lean or rest heavy objects on sides or top of furniture. This may cause balance issues and compromise the integrity of your mounting connections.
5. Please use wall beds and integrated shelves, desks and sofas as intended. Do not jump and/or exceed supported weight limits. Do not sit or lean on integrated shelves and desks. Improper use may cause personal injury and damage to property.
6. With seasonal humidity change please inspect the interior and exterior of the furniture for deformation and/or discoloration.
7. Before any un-mounting or disassembly please contact Multimo Beds for technical support and instructions. Failure to properly detach may result in personal injury and damage to property.



WARNINGS

IMPORTANT! HAZARD WARNING!

All Wall Beds contain sophisticated and powerful lifting mechanism. Failure to follow assembly and installation instructions may result in **severe personal injury and damage of the product.**

SECURE RIGIDLY TO A WALL!

Improper attaching wall bed to a wall will create a tip-over hazard and may result in severe personal injury or even death. **ONLY qualified installers should install or remove a wall bed.**



WARRANTY

RETAIL RESIDENTIAL TERM

Lifetime guarantee on hardware.
5 year structural guarantee on cabinetry.

COMMERCIAL TERM

Lifetime guarantee on hardware.
2 year structural guarantee on cabinetry.



www.multimobeds.com