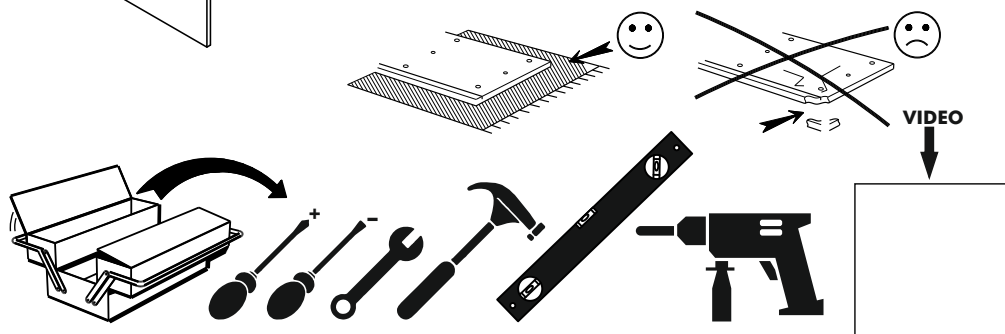
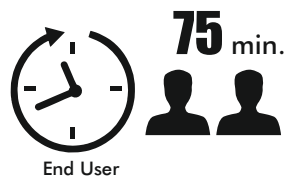
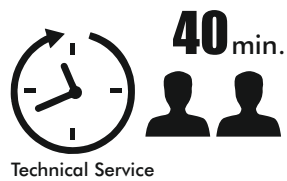
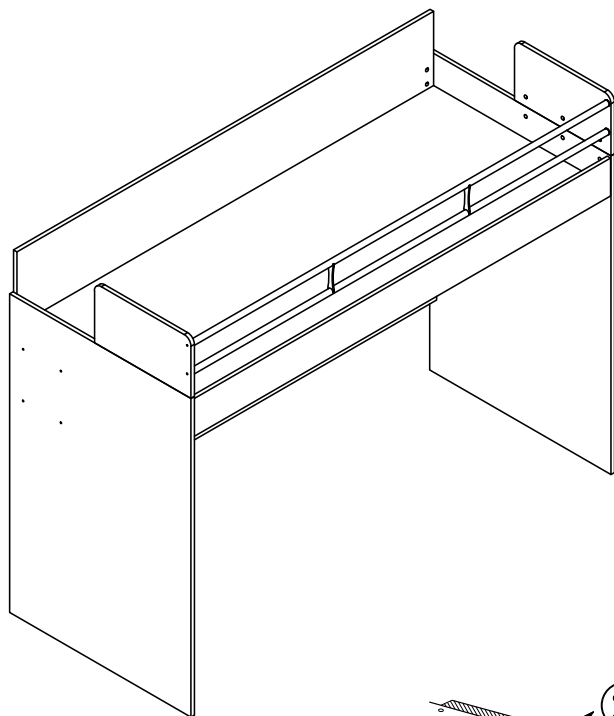




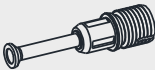

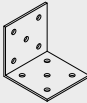

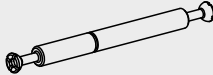


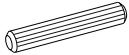



# MULTIMO

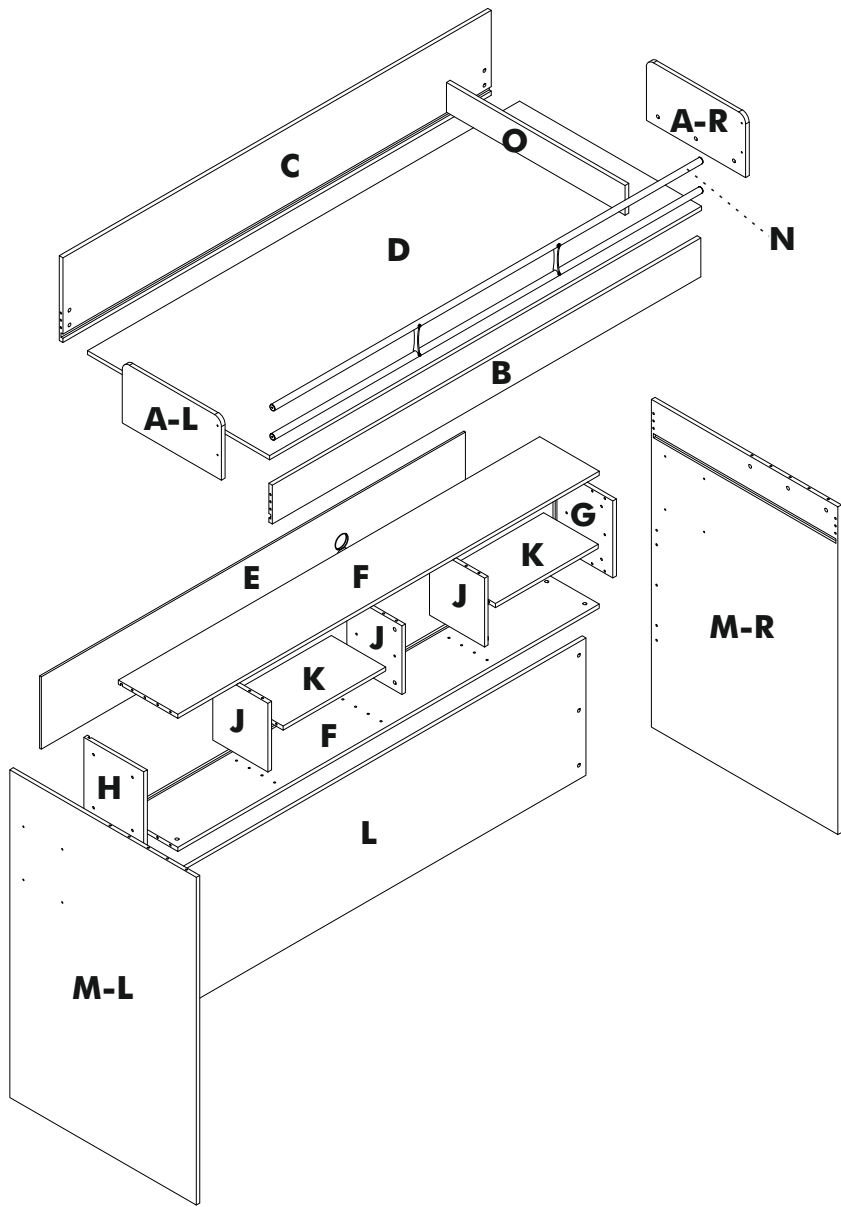
## 730-1 BUNK



Track Title	Piece	(inch)			(mm)			
		Thickness	Length	Width	Piece	Thick	Height	Most
A	2	0,71	10,59	19,69	2	18	269	500
B	1	0,71	85,04	6,69	1	18	2160	170
C	1	0,71	85,04	14,57	1	18	2160	370
D	1	0,71	85,75	36,14	1	18	2178	918
E	1	0,31	84,21	12,44	1	8	2139	316
F	2	0,71	83,62	11,81	2	18	2124	300
G	1	0,71	13,23	11,89	1	18	336	302
H	1	0,71	13,23	11,89	1	18	336	302
J	3	0,71	11,81	10,94	3	18	300	278
K	2	0,71	20,37	10,83	2	18	517,5	275
L	1	0,71	85,04	23,62	1	18	2160	600
M	2	0,71	56,34	37,01	2	18	1431	940
O	1	0,71	35,43	5,12	1	18	900	130

### Accessories List

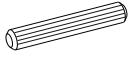
<p><b>MNX - 02</b></p>  <p>34 / piece</p> <p>CT - 05 ( 6x35 ) mm</p>	<p><b>MNG - 01</b></p>  <p>46 / piece</p> <p>KB - 01</p>  <p>8 / piece</p> <p>VD - 02 (3,5x25) mm</p>  <p>12 / piece</p>	<p><b>MNX - 03</b></p>  <p>6 / piece</p> <p>VTB - 01 (4,8x16) mm</p>  <p>64 / piece</p> <p>ADP - 02</p>  <p>1 / piece</p>	<p><b>KVL 01</b></p>  <p>40 / piece</p> <p>TAP - 01</p>  <p>46 / piece</p> <p>PORT - 01</p>  <p>1 / piece</p> <p>LED - 02</p>  <p>1 / piece</p>
------------------------------------------------------------------------------------------------------------------------------------------------------	---------------------------------------------------------------------------------------------------------------------------------------------------------------------------------------------------------------------------------------------------------------------------------------------------------------------------------------------------------------------------------	----------------------------------------------------------------------------------------------------------------------------------------------------------------------------------------------------------------------------------------------------------------------------------------------------------------------------------------------------------------------------------	----------------------------------------------------------------------------------------------------------------------------------------------------------------------------------------------------------------------------------------------------------------------------------------------------------------------------------------------------------------------------------------------------------------------------------------------------------------------------------------------



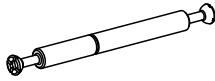
STEP 1



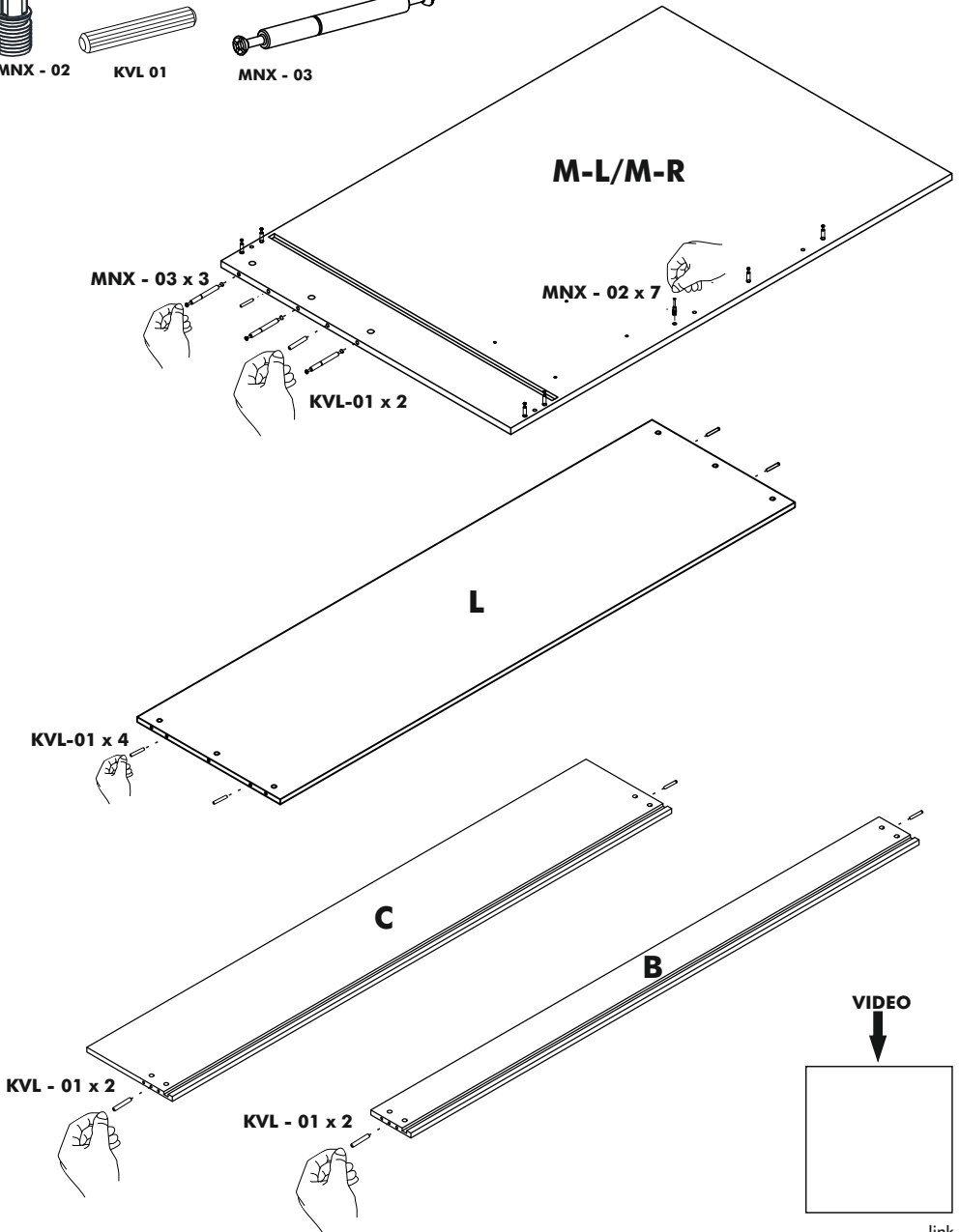
MNX - 02



KVL 01



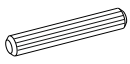
MNX - 03



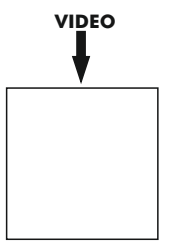
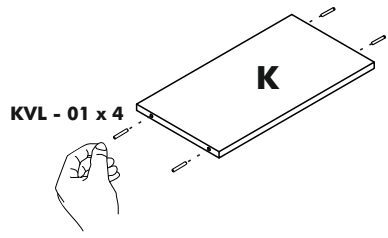
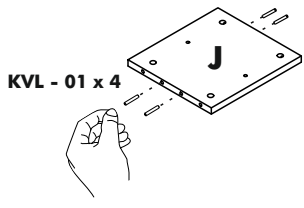
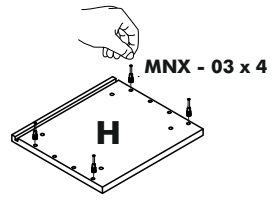
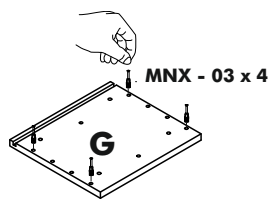
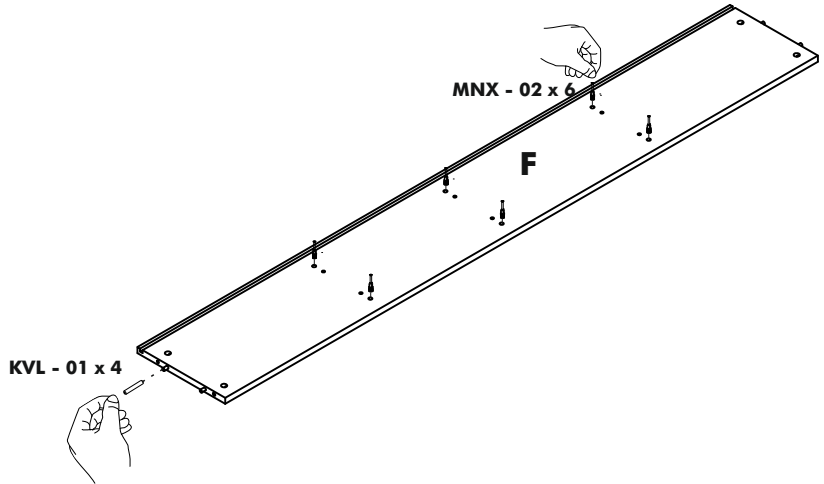
**STEP 2**



**MNG - 01**



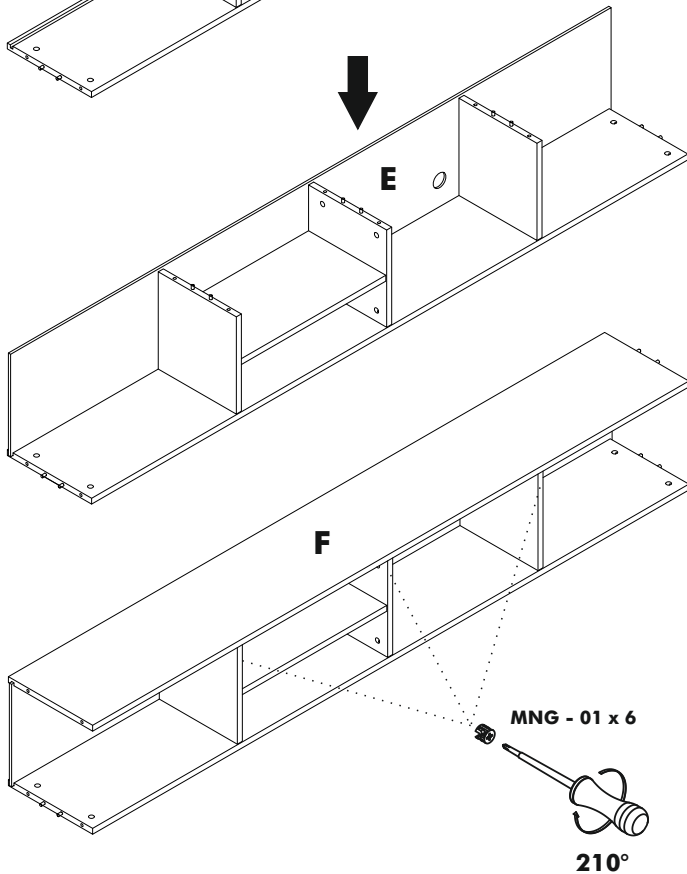
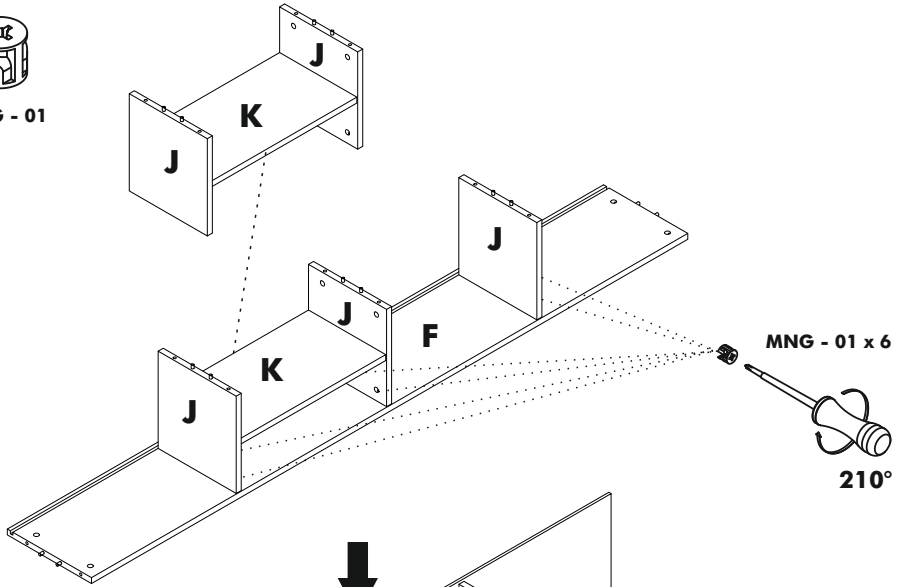
**KVL 01**



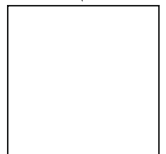
STEP 3



MNG - 01



VIDEO

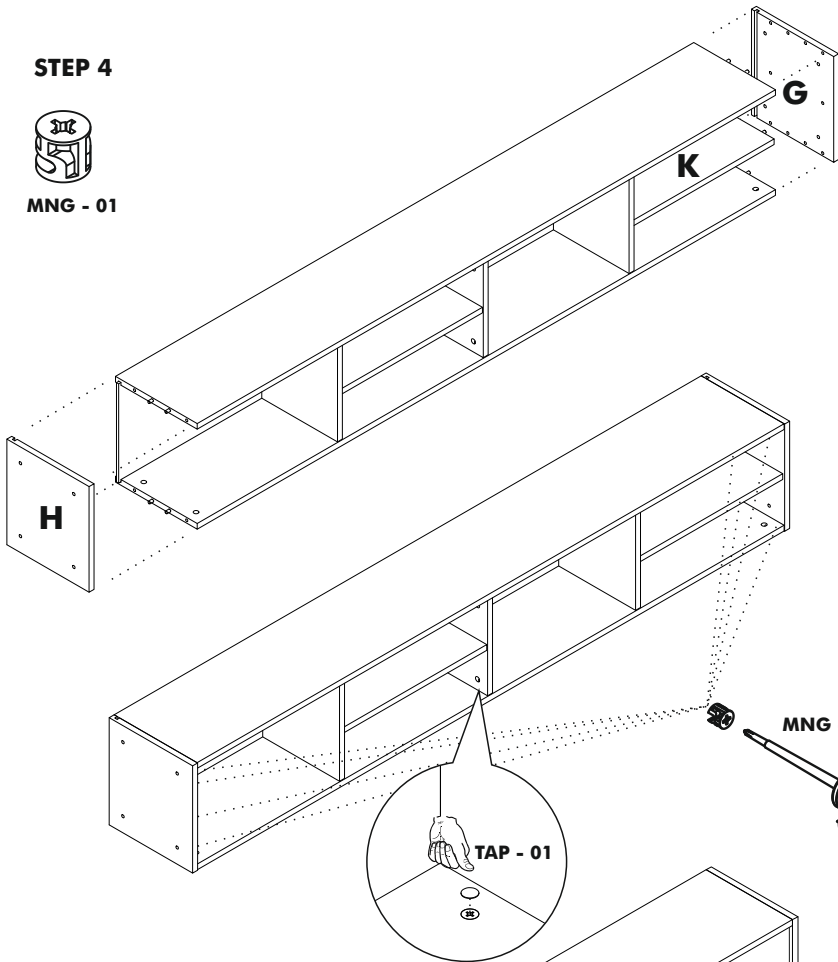


link

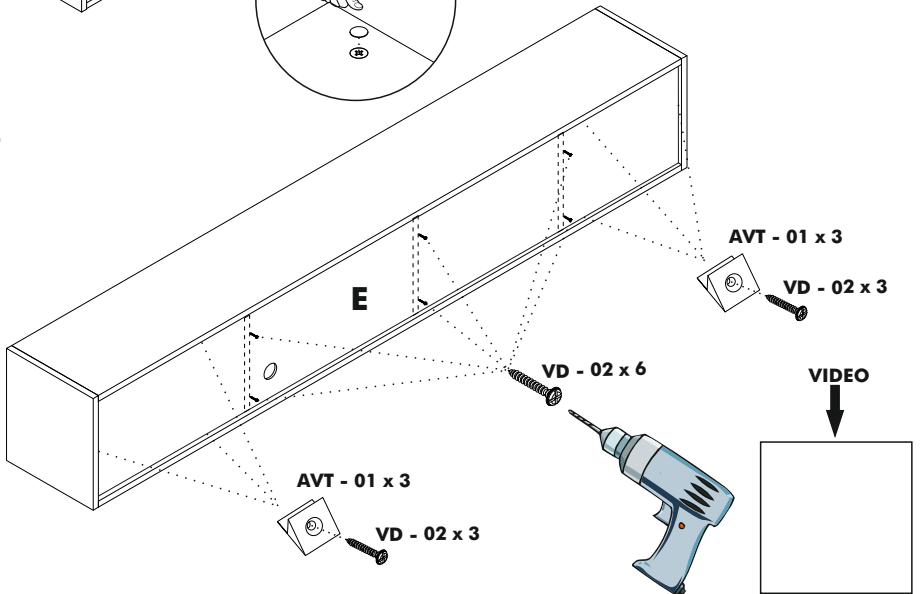
**STEP 4**



MNG - 01



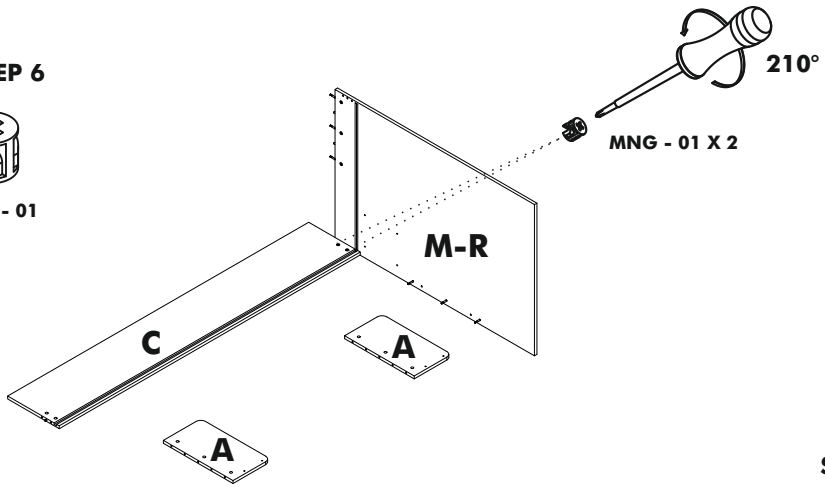
**STEP 5**



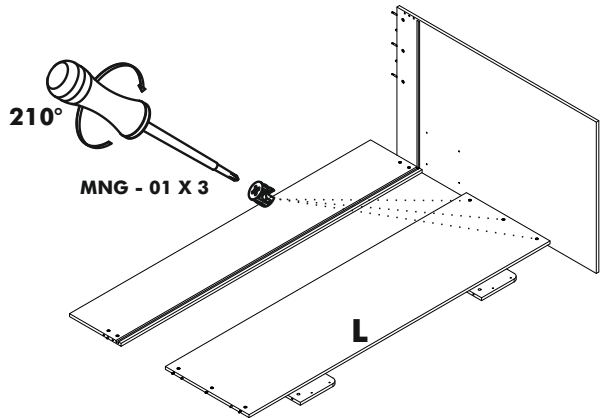
**STEP 6**



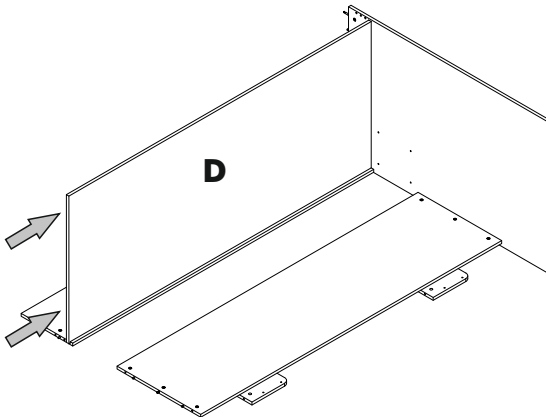
MNG - 01



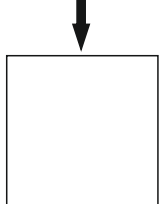
**STEP 7**



**STEP 8**



**VIDEO**



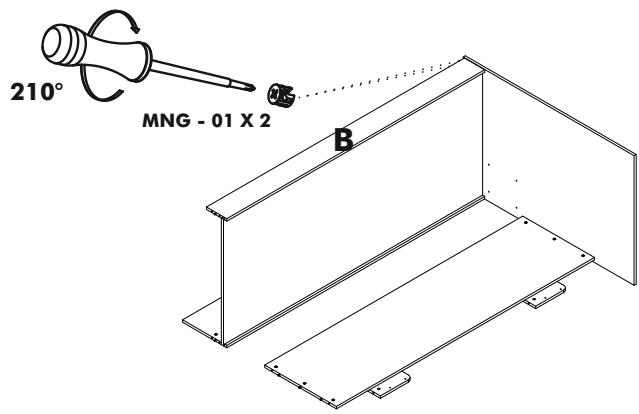
link



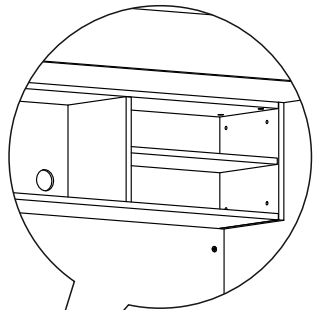
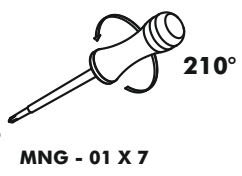
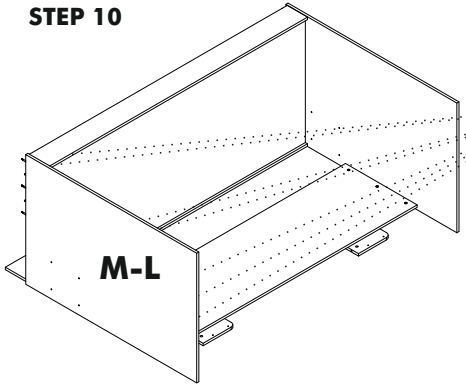
**STEP 9**



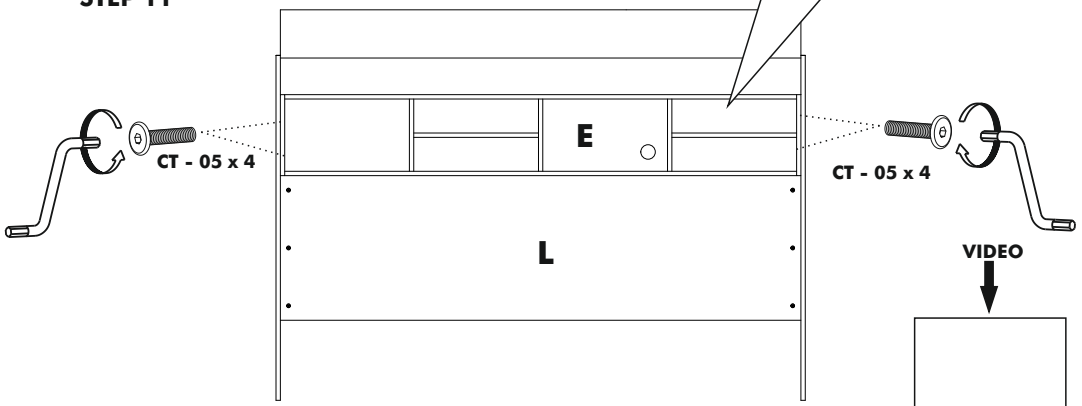
**MNG - 01**



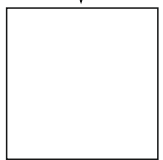
**STEP 10**



**STEP 11**



**VIDEO**

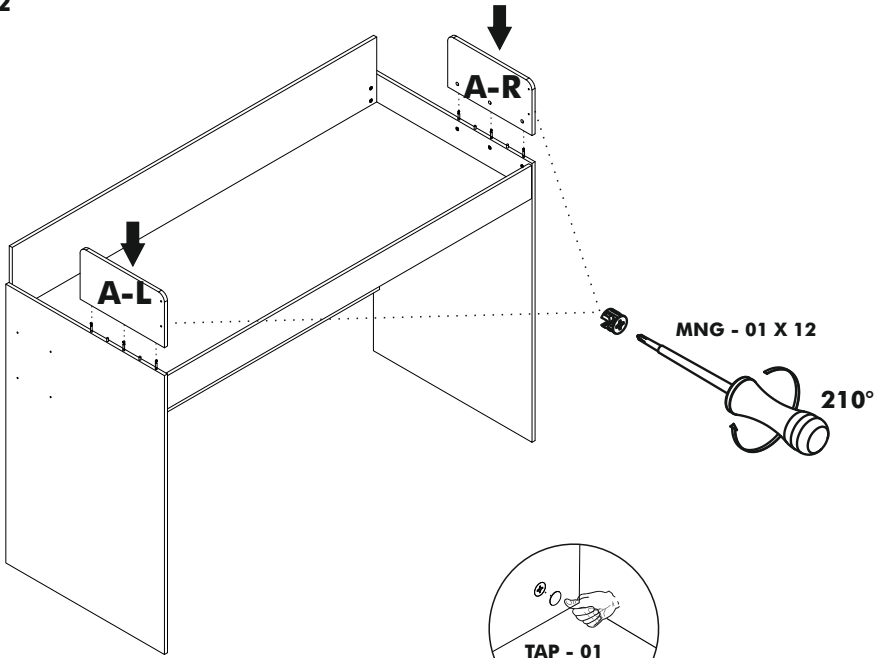


link

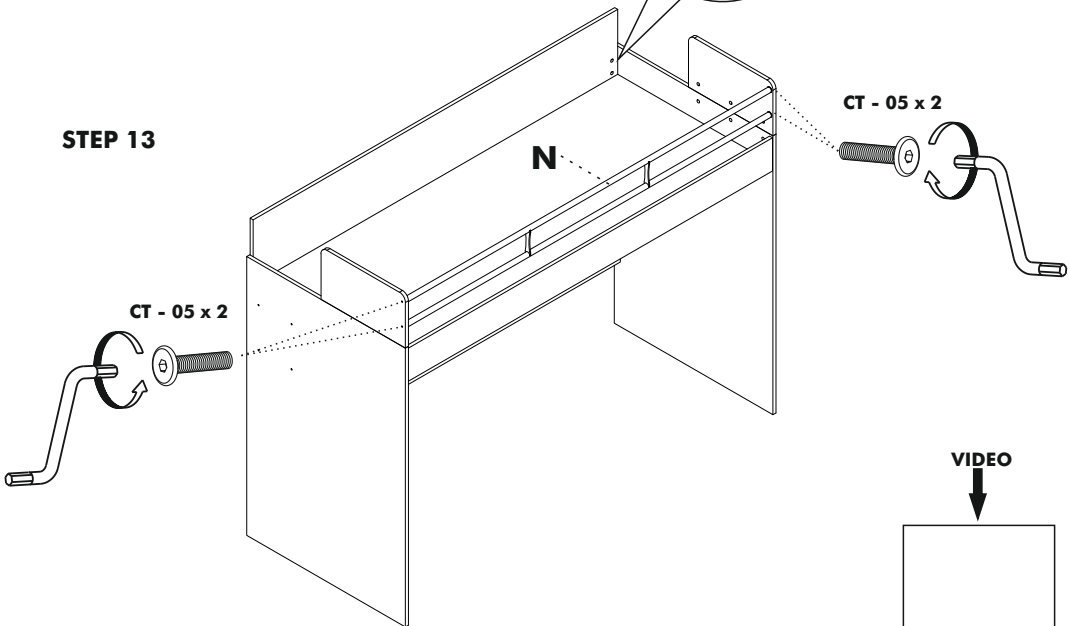
STEP 12



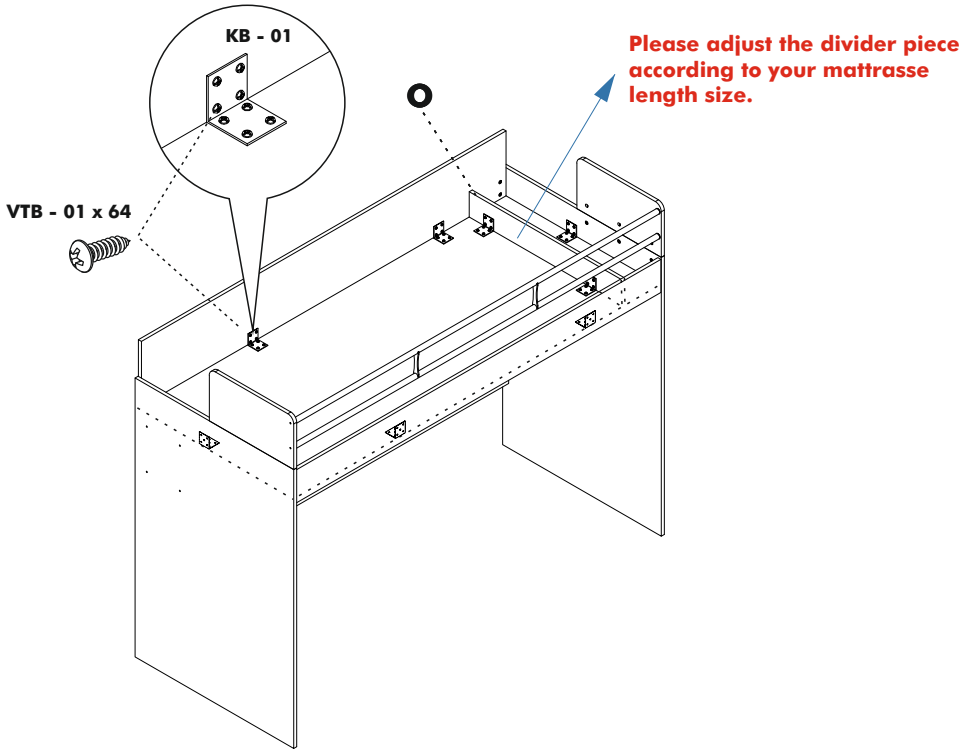
MNG - 01



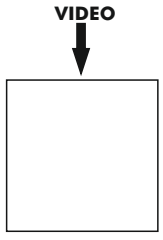
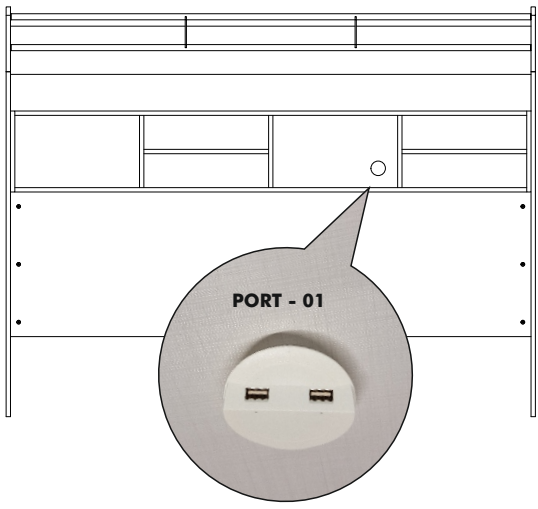
STEP 13



**STEP 14**



**STEP 15**





**MULTiMO**

[www.multimo.com](http://www.multimo.com)