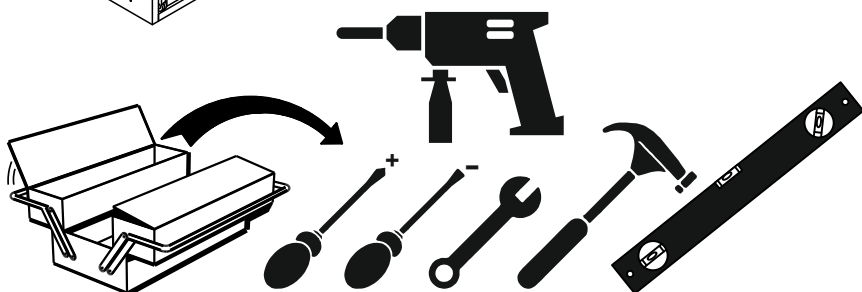
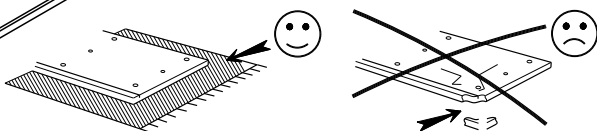
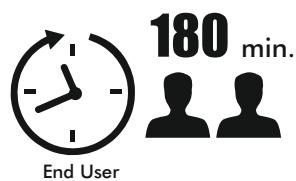
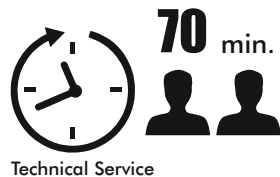
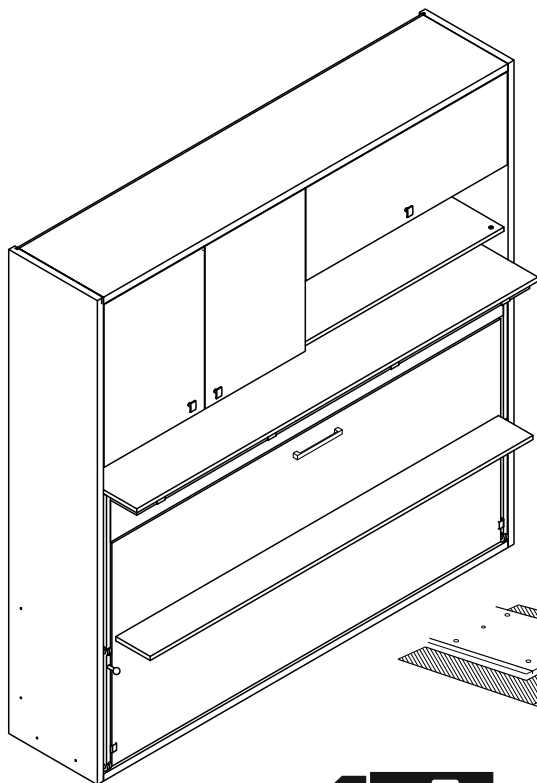


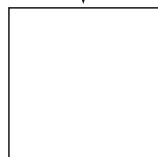


MULTIMO

115- NITRO



VIDEO


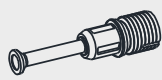



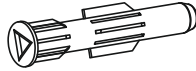
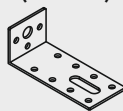
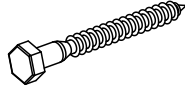




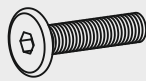
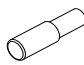

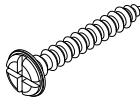
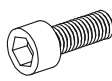
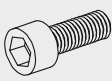
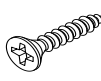
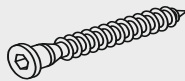
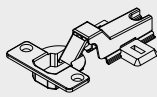
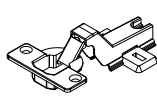


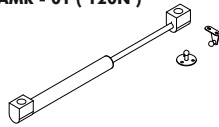

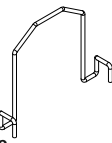
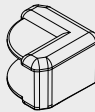


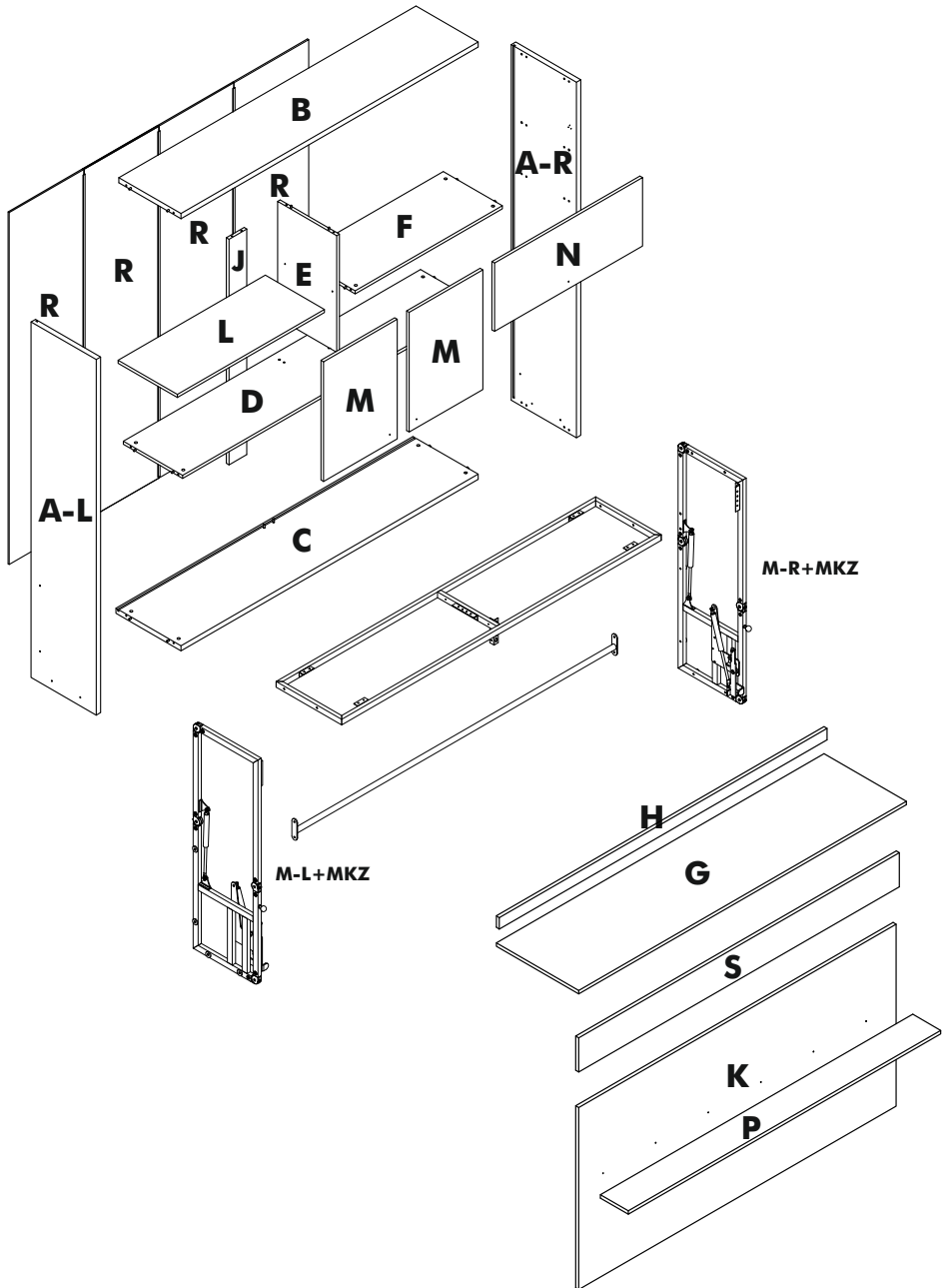
link

Assembly Instructions

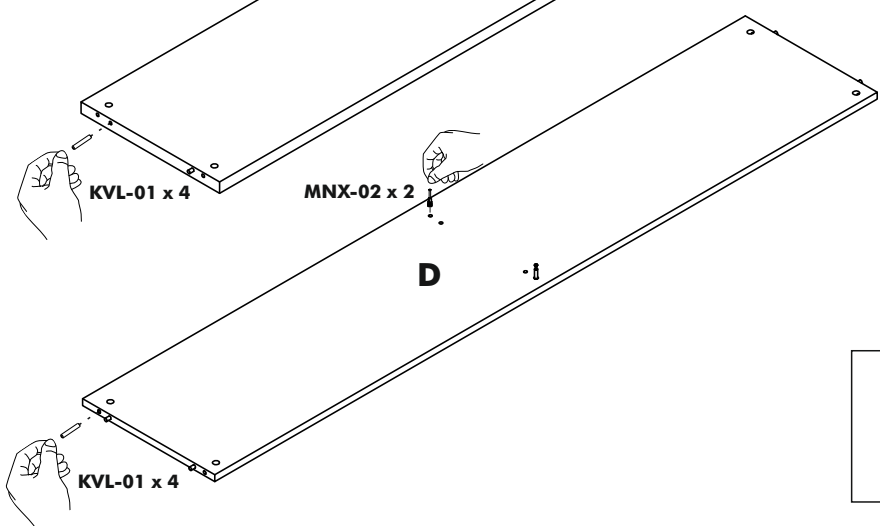
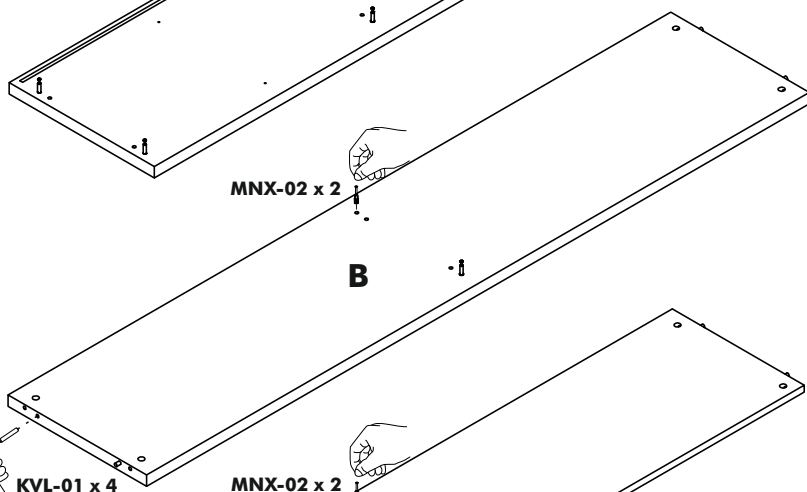
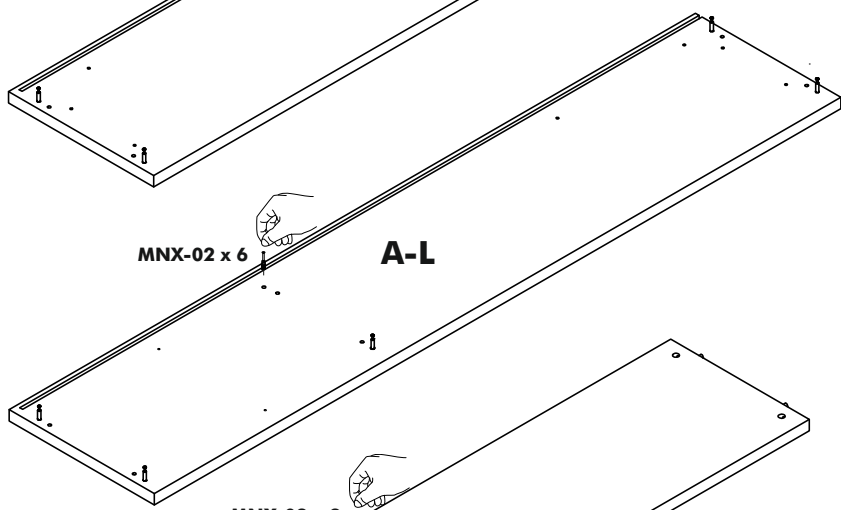
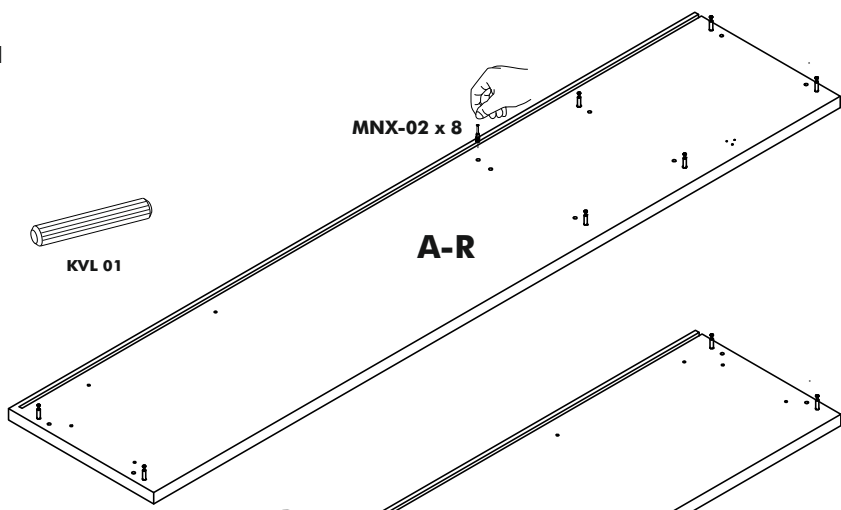
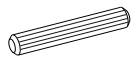
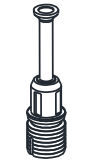
Track Title	Piece	(inch)			(mm)			
		Thickness	Length	Width	Piece	Thick	Height	Most
A	2	1,18	81,89	17,32	2	30	2080	440
B	1	1,18	79,06	16,50	1	30	2008	419
C	1	0,71	79,06	17,28	1	18	2008	439
D	1	0,71	79,06	15,75	1	18	2008	400
E	1	0,71	26,85	15,75	1	18	682	400
F	1	0,71	41,38	15,75	1	18	1051	400
G	1	0,71	78,43	19,69	1	18	1992	500
H	1	0,71	78,43	2,36	1	18	1992	60
J	1	0,71	51,97	4,72	1	18	1320	120
K	1	0,71	37,72	76,38	1	18	958	1940
L	1	0,71	36,97	15,75	1	18	939	400
M	2	0,71	27,56	18,50	2	18	700	470
N	1	0,71	41,57	15,75	1	18	1056	400
P	1	0,71	74,80	6,30	1	18	1900	160
R	4	0,31	81,06	19,88	4	8	2059	505
S	1	0,71	76,85	7,09	1	18	1952	180

Accessories List

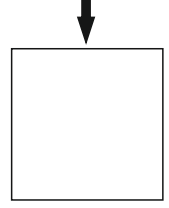
<p>MNG - 01</p>  <p>20 / piece</p>	<p>MNX 02</p>  <p>20 / piece</p>	<p>TAP - 01</p>  <p>20 / piece</p>	<p>KVL 01</p>  <p>24 / piece</p>
<p>VTB - 01 (4,8x16) mm</p>  <p>24 / piece</p>	<p>DD - 01 (R10)</p>  <p>2 / piece</p>	<p>DSE - 01 (40x90x32) mm</p>  <p>2 / piece</p>	<p>TFC - 01(8x70) mm</p>  <p>2 / piece</p>
<p>PL - 02 (8x22x1) mm</p>  <p>2 / piece</p>	<p>KP - 01 (224) mm</p>  <p>1 / piece</p>	<p>KP - 03</p>  <p>3 / piece</p>	<p>VKP - 01 (22) mm</p>  <p>5 / piece</p>
<p>CT - 03 (6x50) mm</p>  <p>8 / piece</p>	<p>PM - 01</p>  <p>4 / piece</p>	<p>AVT - 01</p>  <p>10 / piece</p>	<p>VD - 02 (3,5x25) mm</p>  <p>24 / piece</p>
<p>IM - 02 (6x20) mm</p>  <p>4 / piece</p>	<p>IM - 03 (6x40) mm</p>  <p>4 / piece</p>	<p>VD - 03 (3,5x18) mm</p>  <p>34 / piece</p>	<p>VDA - 01 (6,5x50) mm</p>  <p>12 / piece</p>
<p>TS - 02</p>  <p>2 / piece</p>	<p>TS - 03</p>  <p>4 / piece</p>	<p>TSY - 02</p>  <p>1 / piece</p>	<p>TSY - 03</p>  <p>1 / piece</p>
<p>AMR - 01 (120N)</p>  <p>2 / piece</p>	<p>H 01</p>  <p>3 / piece</p>	<p>TTC 01</p>  <p>4 / piece</p>	<p>KKS - 01</p>  <p>2 / piece</p>



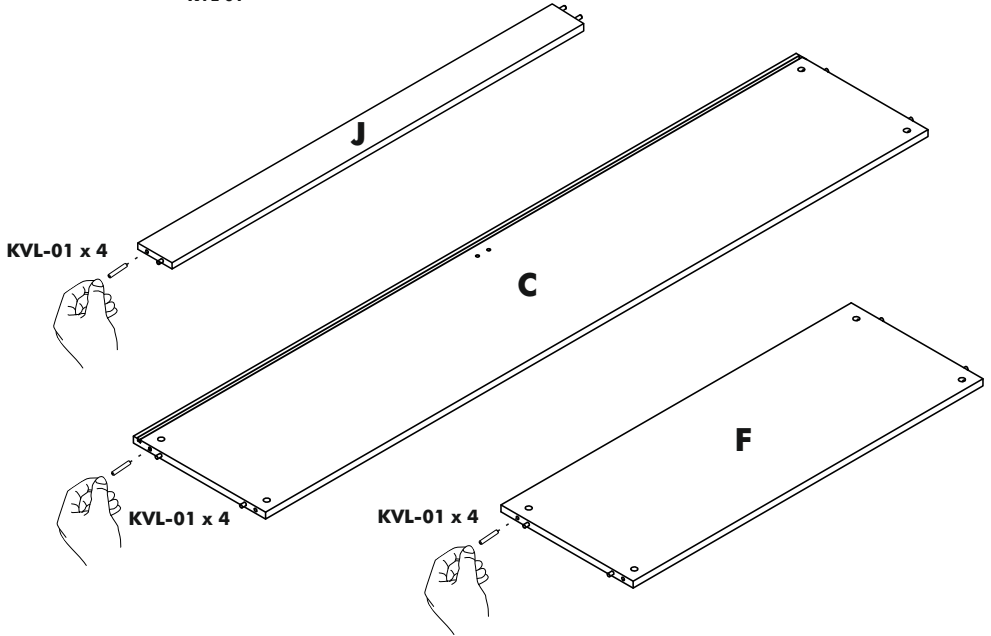
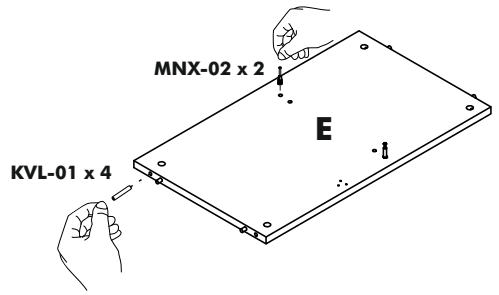
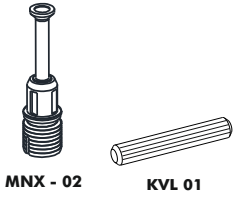
STEP 1



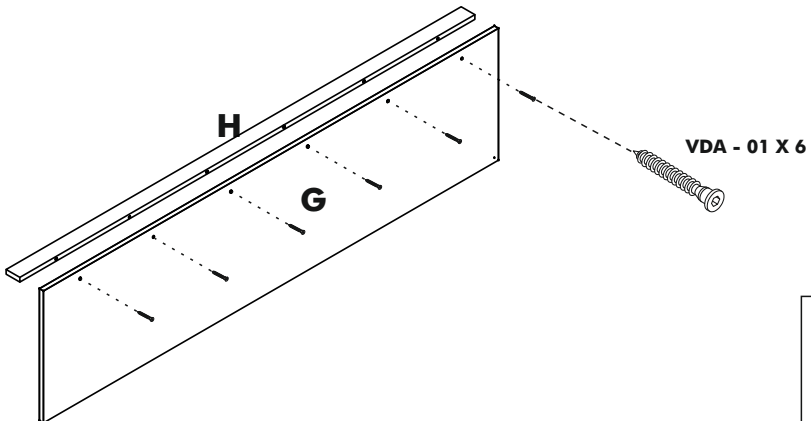
VIDEO



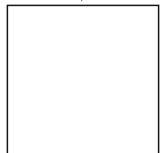
STEP 2



STEP 3

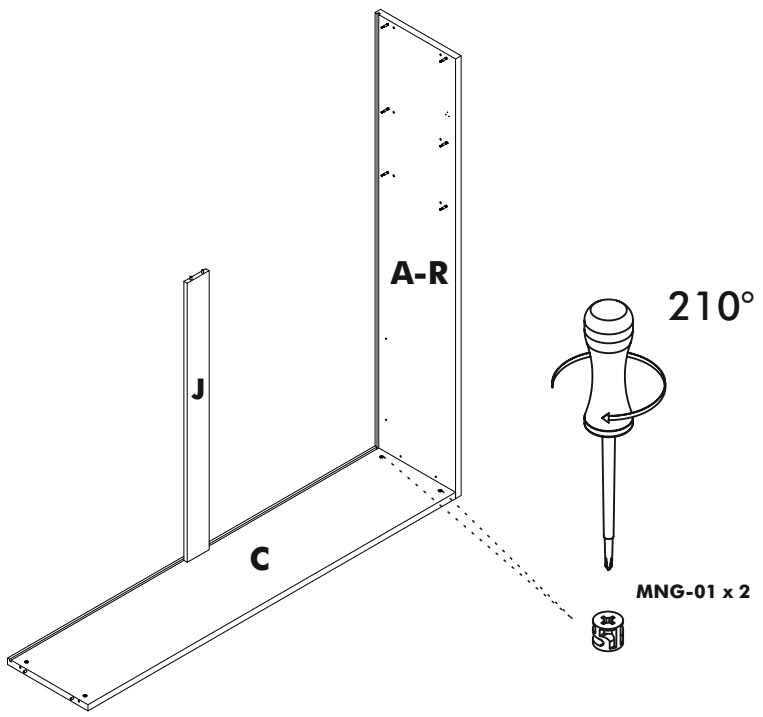


VIDEO

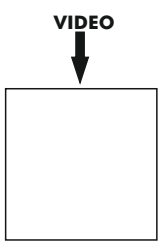
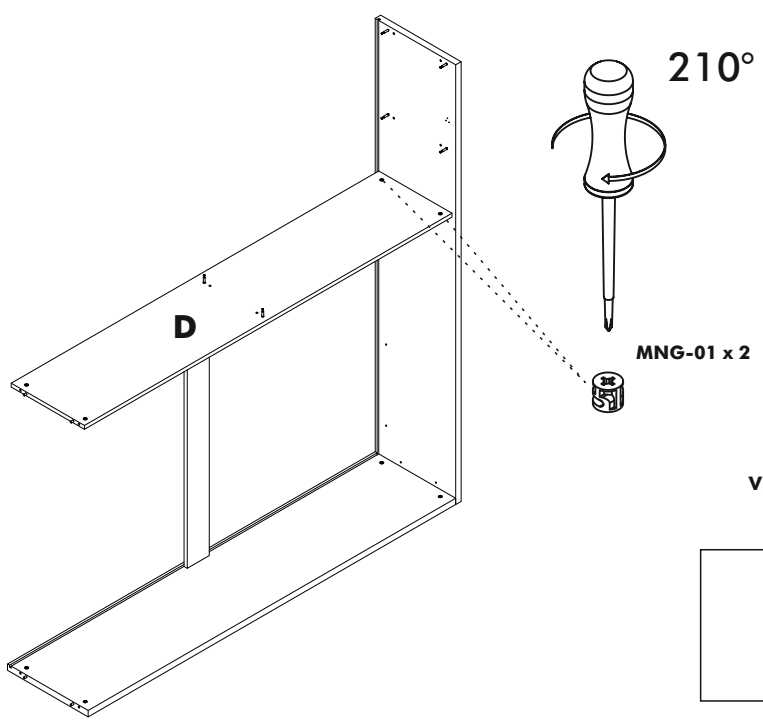


link

STEP 4



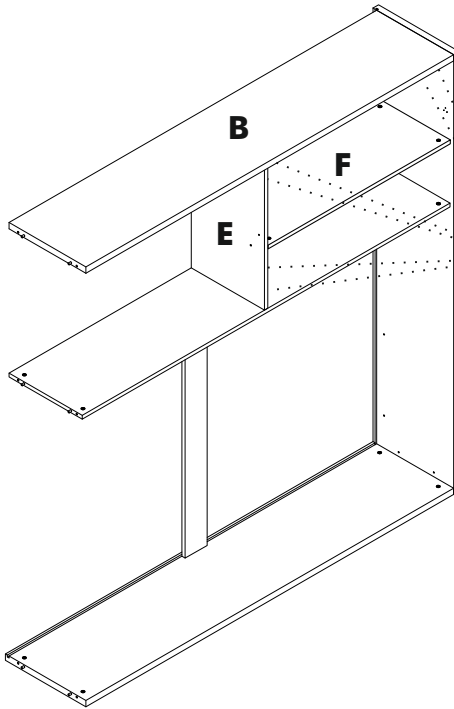
STEP 5



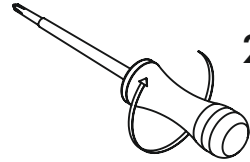
STEP 6



MNG - 01

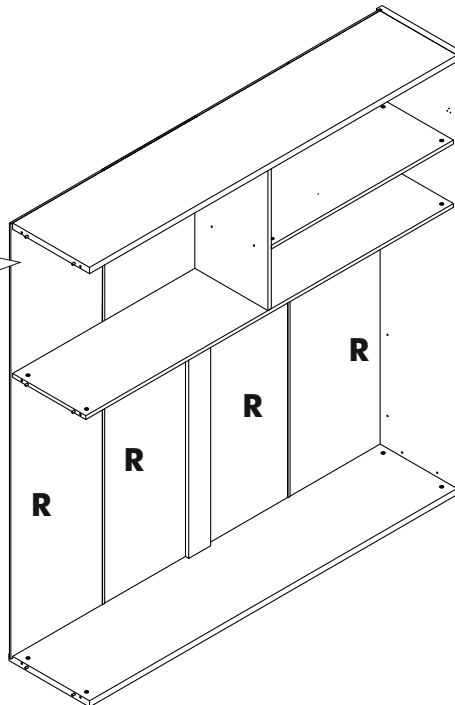
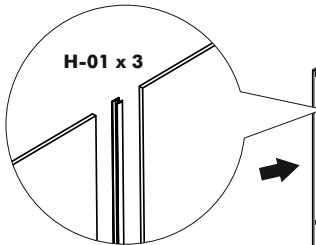


MNG-01 x 10

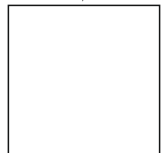


210°

STEP 7



VIDEO

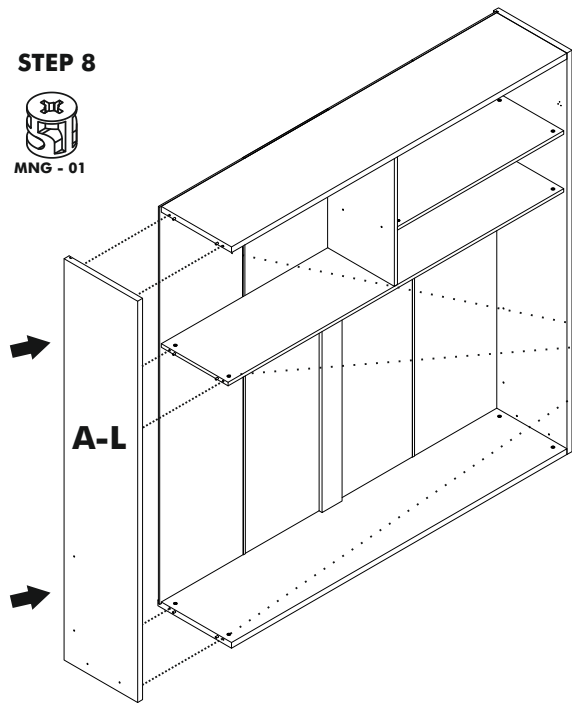


link

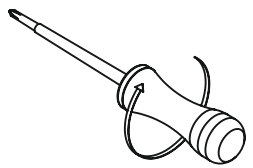
STEP 8



MNG - 01

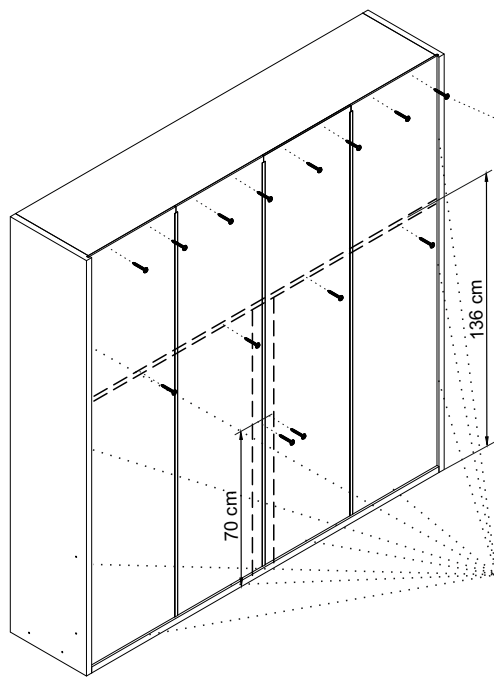


MNG-01 x 6



210°

STEP 9



VD - 02 x 14



70 cm

136 cm

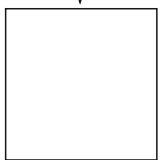
AVT - 01x 10



VD - 02 x 10

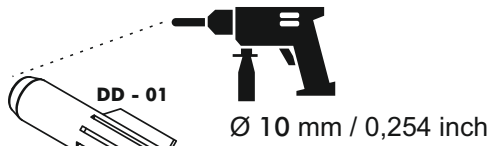


VIDEO



link

STEP 10

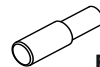
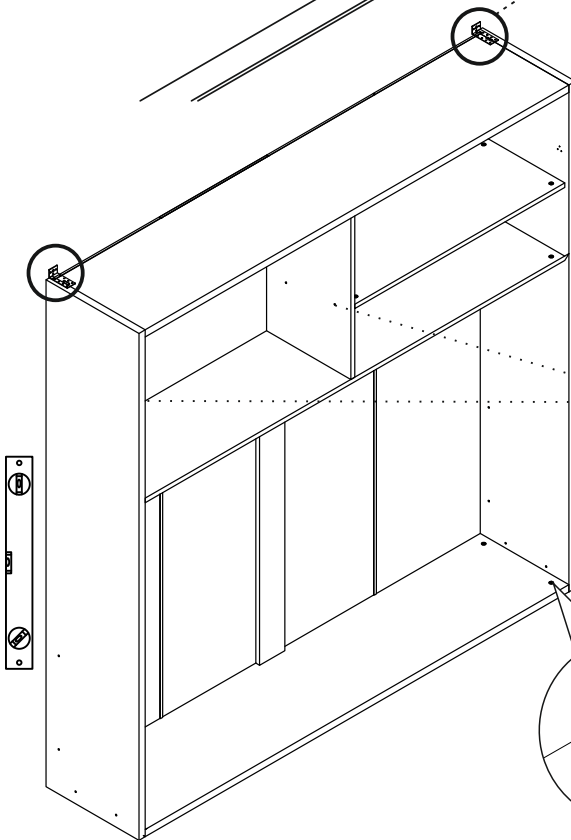


TFC - 01

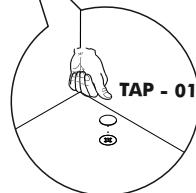
PL - 02

VTB - 01

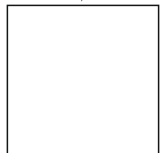
DSE - 01



PM - 01 X 4

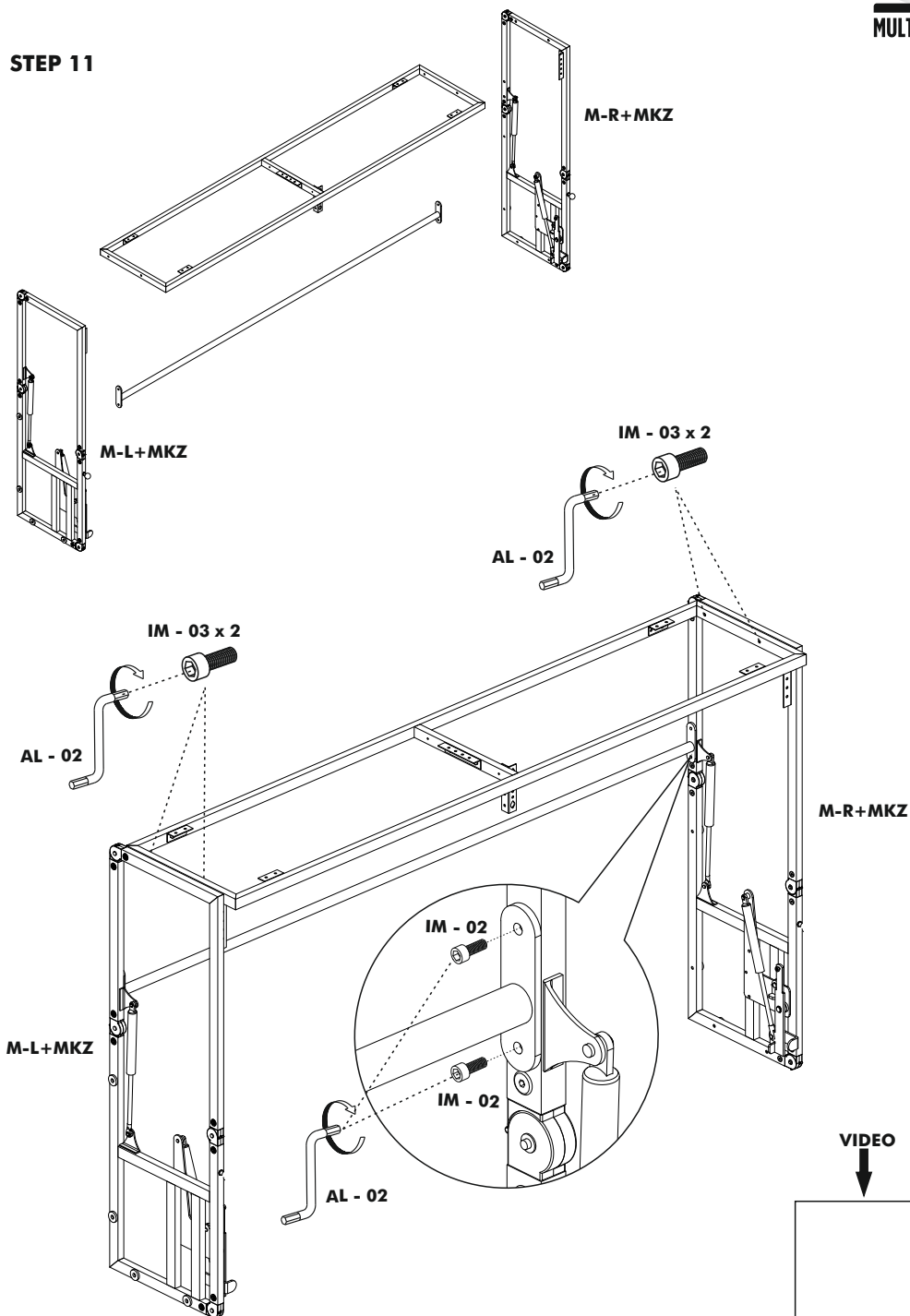


VIDEO

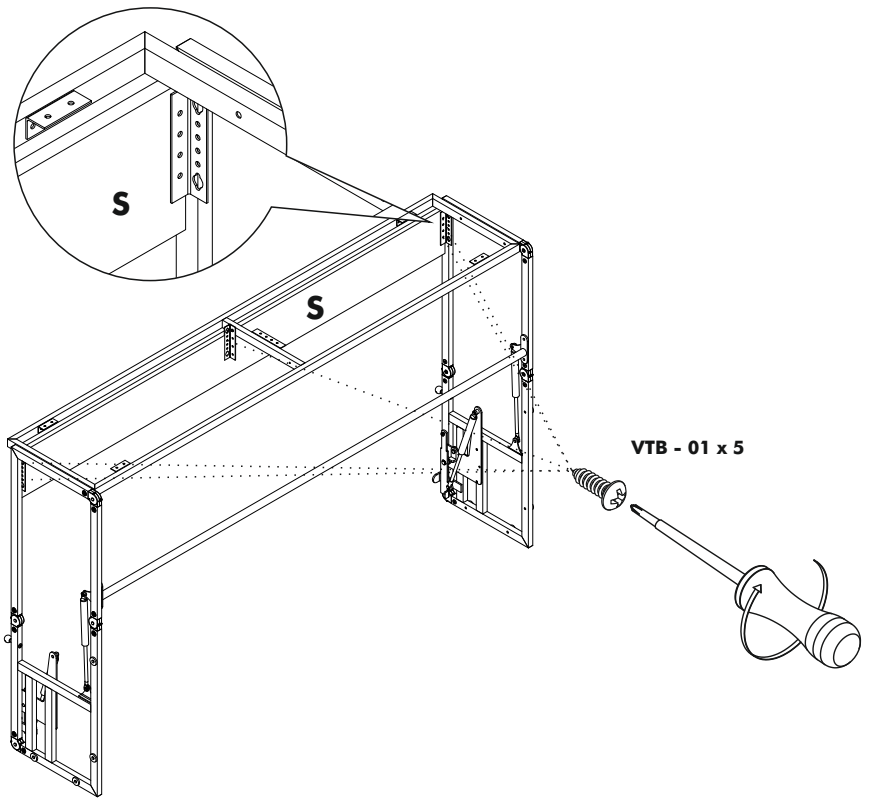


link

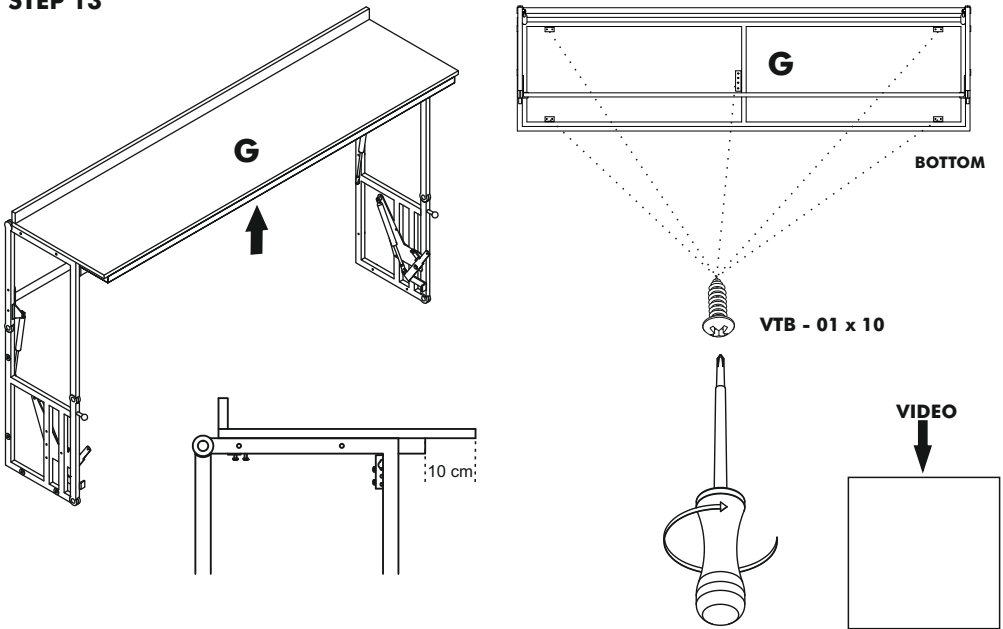
STEP 11



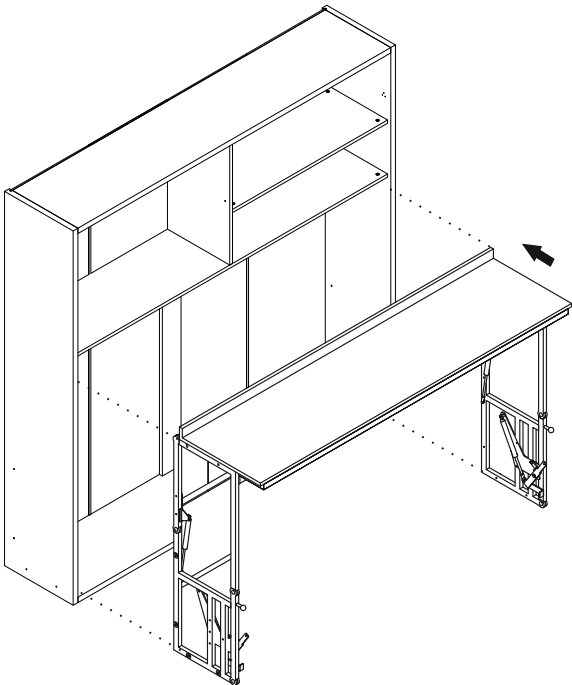
STEP 12



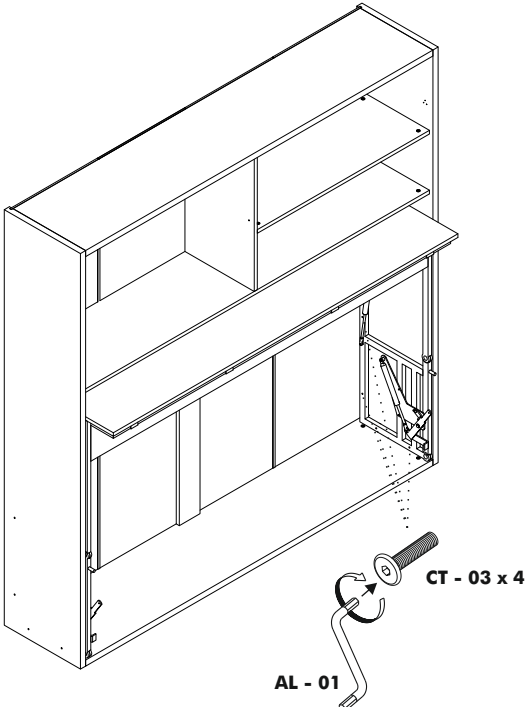
STEP 13



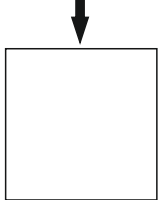
STEP 14



STEP 15

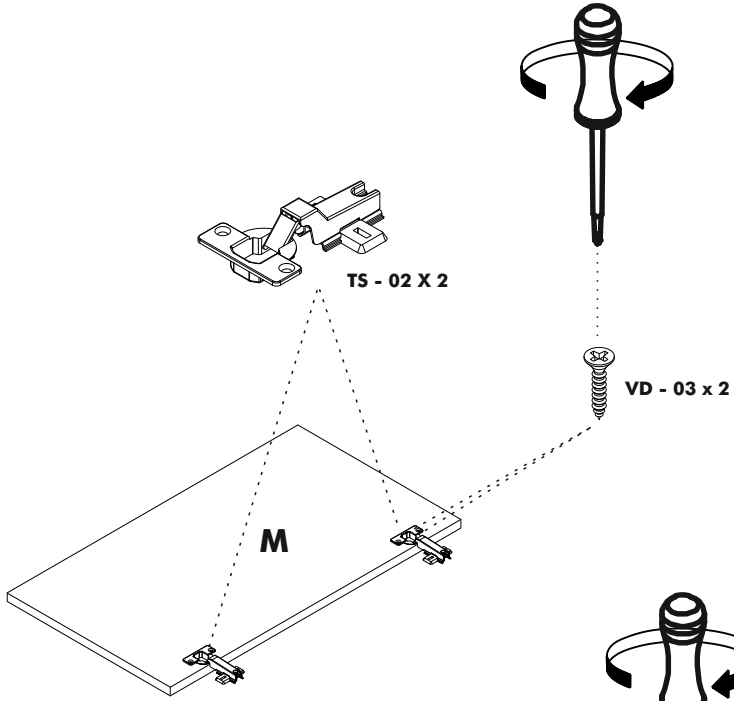


VIDEO

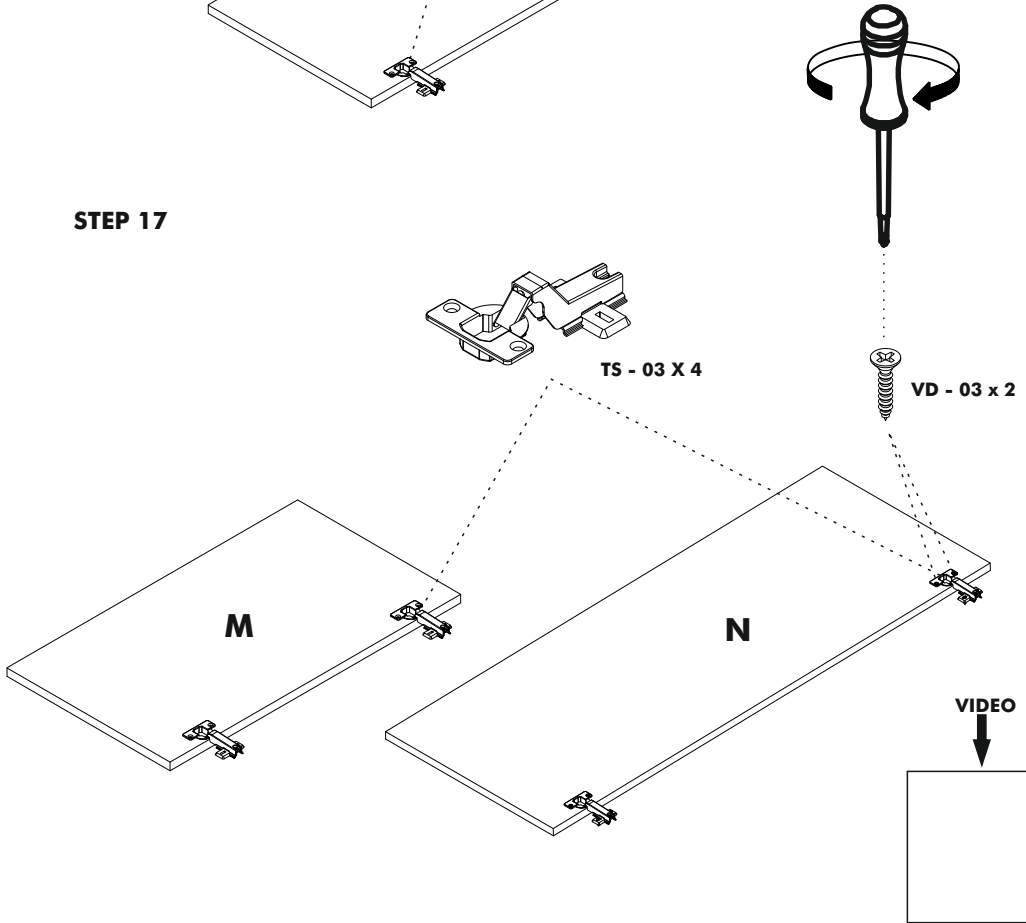


link

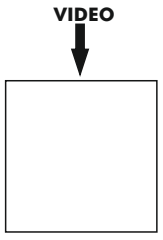
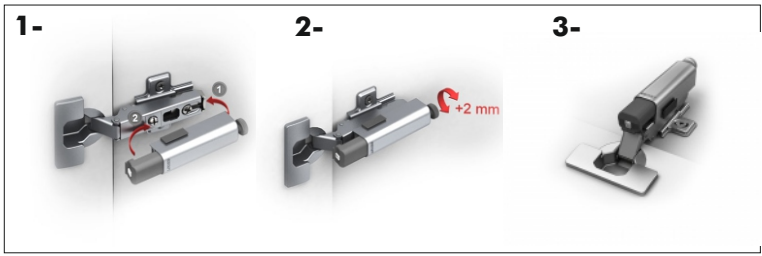
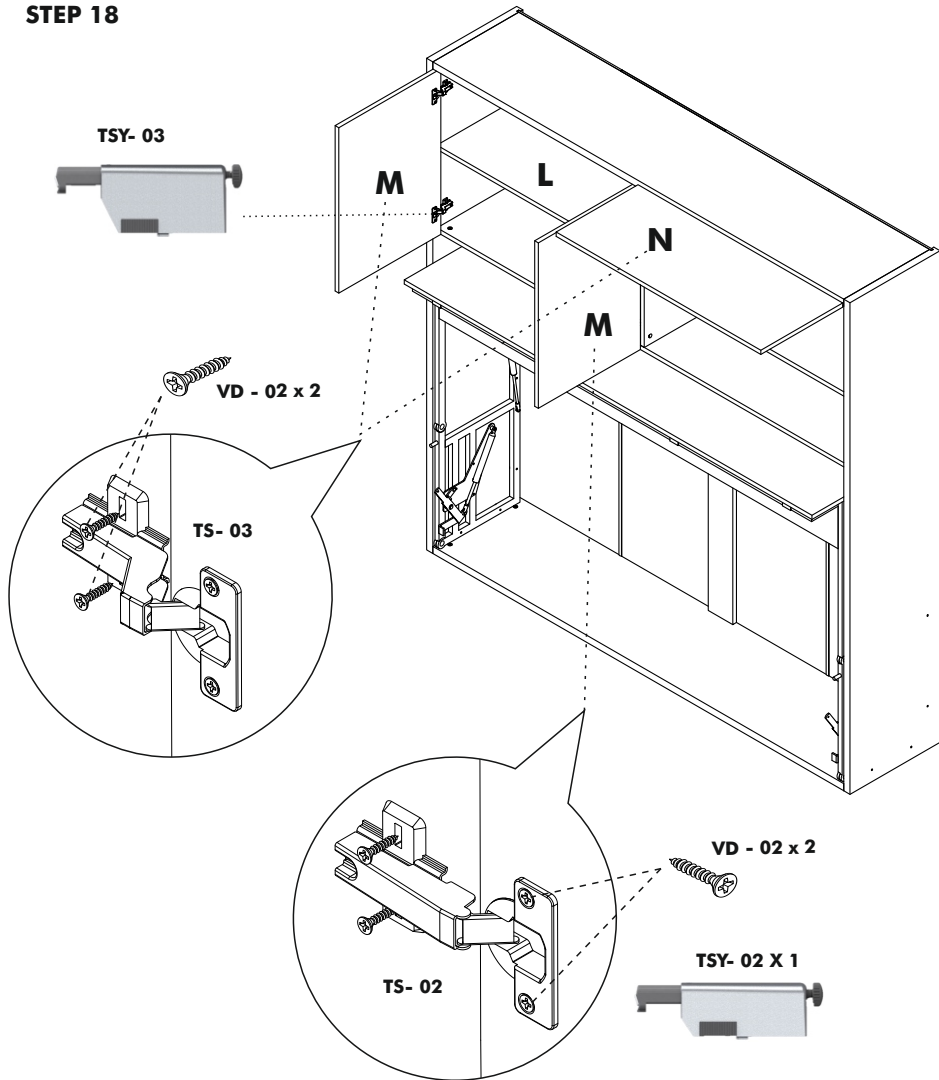
STEP 16



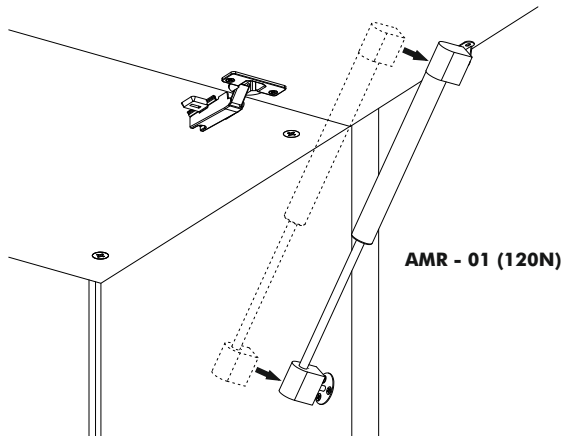
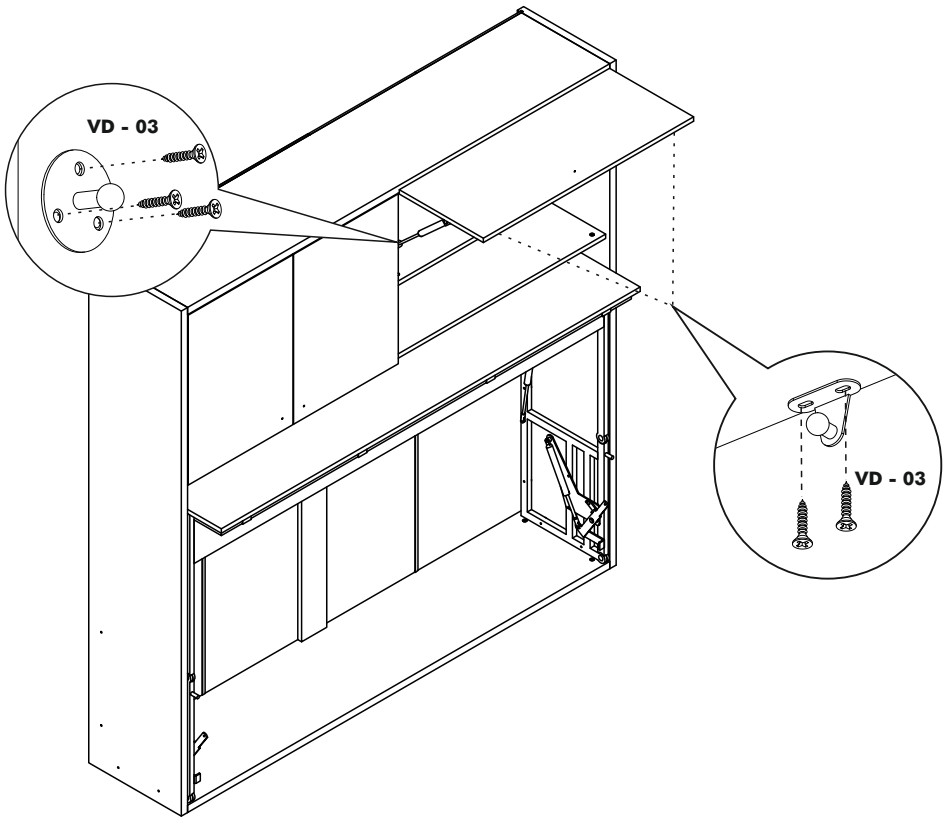
STEP 17



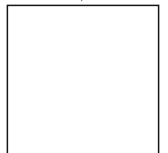
STEP 18



STEP 19



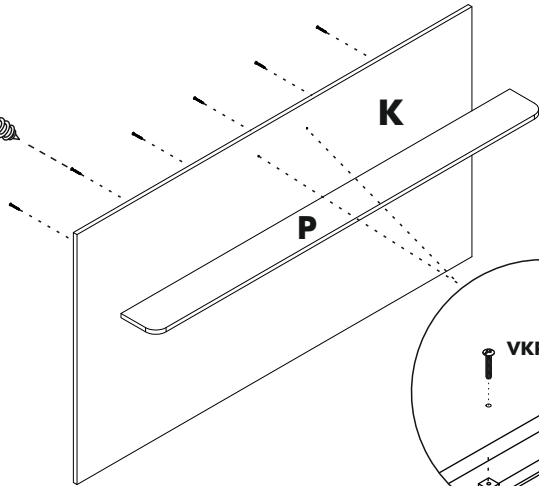
VIDEO



link

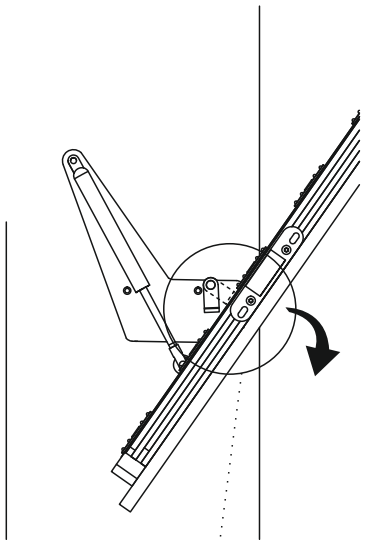
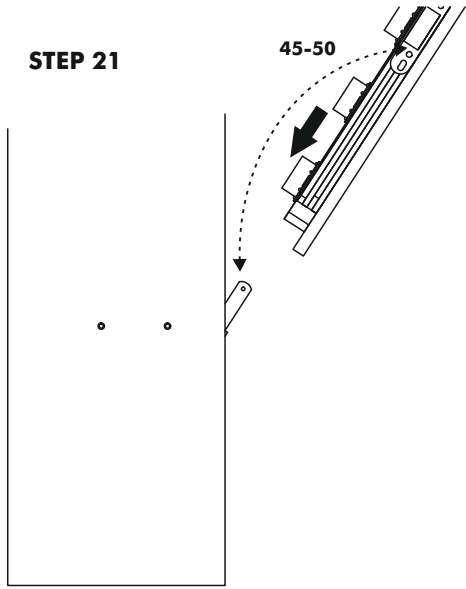
STEP 20

VDA - 01 X 6

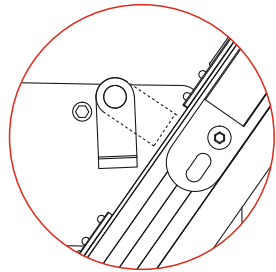
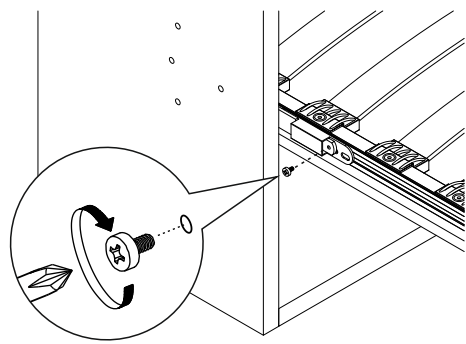


STEP 21

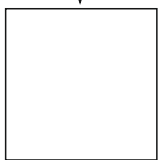
45-50



LET THE STOPPER LOCK MOVE DOWN !!!

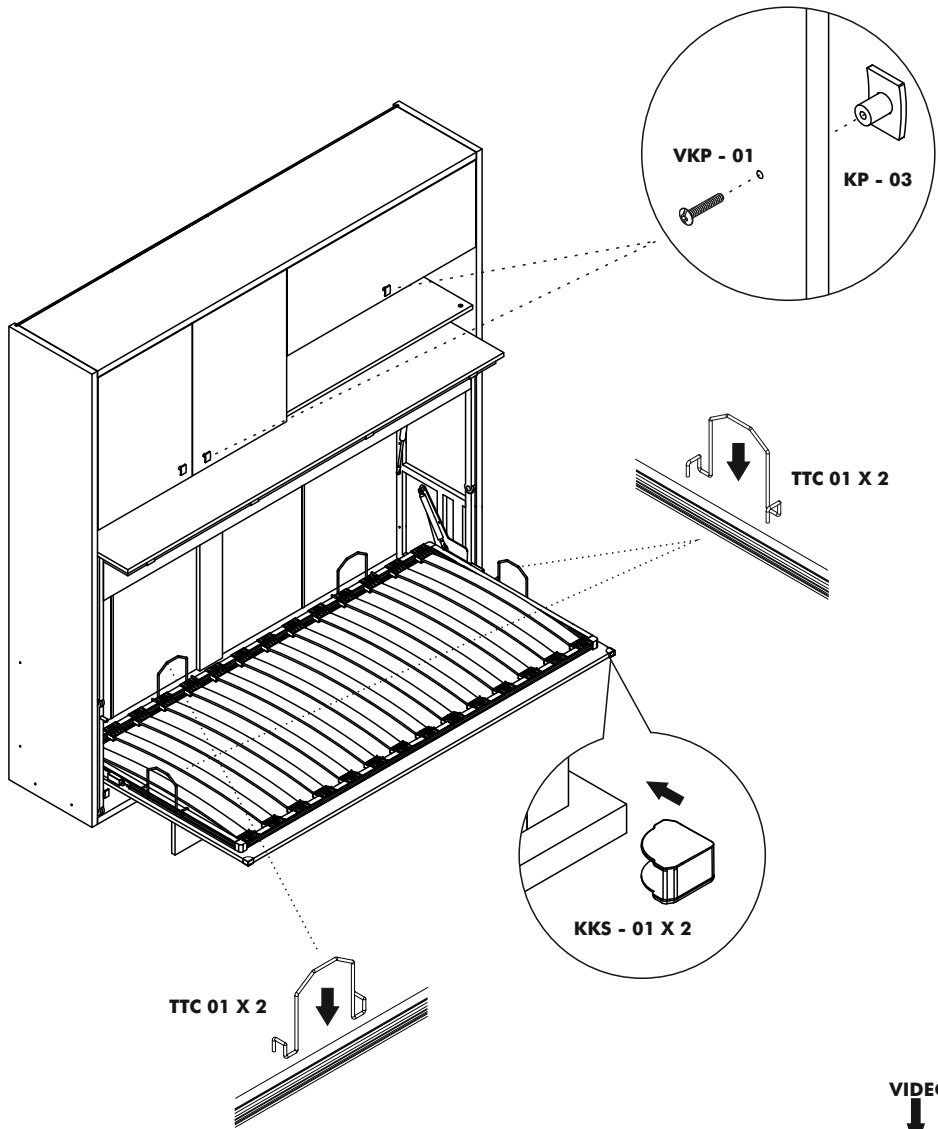


VIDEO

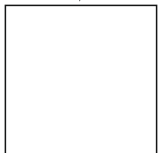


link

STEP 22



VIDEO



link

ATTENTION / HOW TO / READ ME / OWNER'S GUIDE

1. When mounting on a regular drywall, furniture must be fastened to wood or metal studs. Solid walls made of brick, concrete or similar strong material are also acceptable. Do not mount furniture to paper-mache or sheet rock like material without properly affixing to stud.
2. For safety and product longevity you must periodically inspect the mounting and mechanical connections for integrity and tightness. Confirm hardware remains properly affixed and connections snug.
3. Wall Bed mattress thickness may not exceed 8 inch. Take care to remove pillows and excess blankets before closing. Doing so keeps mechanism free of obstruction and unnecessary stress.
4. Do not lean or rest heavy objects on side or top of furniture. This may cause balance issues and compromise the integrity of your mounting connections.
5. Please use the furniture's beds, desks and shelving as intended. Not designed to be sat, stood, leaned, jumped (etc) on. Improper use may cause personal injury and damage to property.
6. With seasonal humidity change you must inspect interior and exterior of furniture.
7. Single, Twin, Twin XL beds accommodate the weight of one person. Improperly sleeping more than one person risks injury to person and damage to property.
8. Before any un-mounting or disassembly please contact Multimo for technical support and instruction. Failure to properly detach risks injury to person and damage to property.
9. For Bunk Beds:
 - a. Always use provided ladder when accessing top bunk.
 - b. Be slow, careful and aware of surroundings when opening top bunk.
 - c. Do not horseplay. Beds are to be slept on only.
 - d. Some have legs that fully extend when open- be aware of where the leg is and will be.



MULTiMO

www.multimo.com